



Radiant Plus Series

Gas Inserts



Introducing the Radiant Plus Series of gas inserts by Lopi. These new gas insert models are available in 2 sizes and are the perfect choice for anyone seeking the traditional Lopi quality and performance at a great price.

The Radiant Plus models are available with the option of a thermostat remote and feature quiet variable speed twin blowers that can be independently operated from the flame and even be switched off completely. Each model features a detailed log-set and crystal clear ceramic glass for increased radiant heat.

2 Sizes Available



Radiant Plus Small



Radiant Plus Large



Radiant Plus Small

The Radiant Plus™ Small is a compact sized unit that fits where most inserts can't, making it the perfect choice for those small masonry fireplaces. This insert is also a great choice for providing warmth to smaller areas of your home. Despite its compact firebox size, this insert still features a beautiful viewing area and fire display.



Viewing Area:	Heating Capacity	Mj Input (NG or LPG)
549mm x 260mm	Up to 80Sqm	18Mj (high)

Radiant Plus Large

The Radiant Plus™ Large is an excellent choice for heating larger living spaces. This is our most powerful Radiant Plus™ Insert. This model showcases a huge viewing area, the highest heat output, and a realistic, wood burning fire display. The Radiant Plus™ Large insert is a serious heater and makes a beautiful focal point in any room.



Viewing Area:	Heating Capacity	Mj Input (NG or LPG)
705mm x 429mm	Up to 150Sqm	33Mj (high)

Options

- Optional wall mounted GreenSmart® Basic Remote (*upgrade from switch*)
- 3 Face Options (see below)
- Finishing Surround Panels
- Optional Ceramic Brick Fireback (Large Only)



Face Options



Designer



Times Square

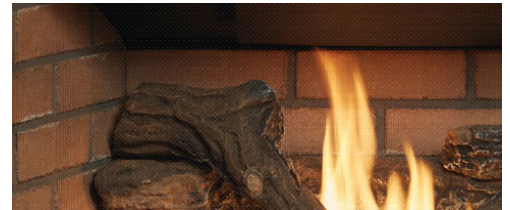


Universal

Face Dimensions

Face Type	Radiant Plus Small	Radiant Plus Large
Designer	752mm wide x 486mm high	911mm wide x 650mm high
Times Square	746mm wide x 524mm high	902mm wide x 689mm high
Universal	876mm wide x 568mm high	1016mm wide x 775mm high

Fireback Liner (Radiant Plus Large Only)



Radiant Plus Small - Shown with Times Square Face & Large 1 Piece Panel

Finishing Panel Dimensions

Panel	Radiant Plus Small	Radiant Plus Large
Small 1 Piece	584mm high x 940mm wide	774mm high x 1066mm wide
Large 1 Piece	635mm high x 940mm wide	863mm high x 1117mm wide

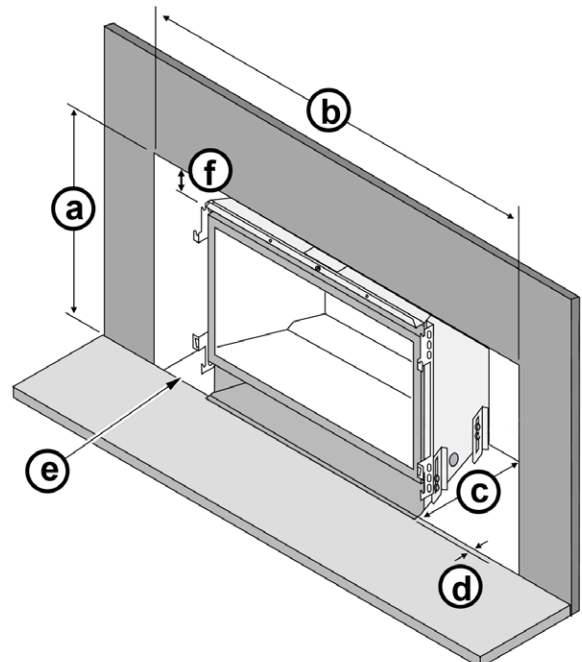
Masonry Fireplace Sizing Requirements

	Radiant Plus Small	Radiant Plus Large
Minimum Height (a)	442mm	604mm
Minimum Width (b)	610mm	788mm
Minimum Depth (c)	337mm	381mm
Hearth Extension (d)	0mm	0mm

(e) The gas and electrical line should be installed prior to installing the heater.

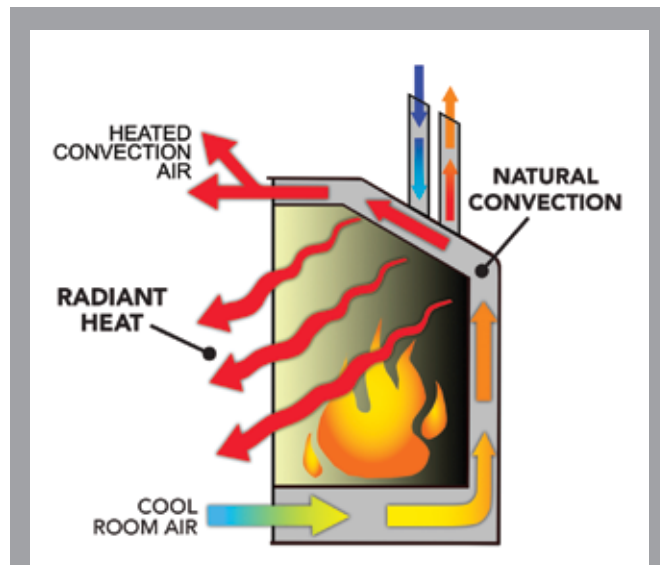
(f) For tight fits see the section "Removing the Vent Connector" in installation manual

See Installation Manual for full clearances



Radiant Plus Features

- Easy to operate GreenSmart® Basic 2 (GSB2)
- High temperature ceramic glass viewing area
- Glass barrier screen
- Compact stylish design
- Quiet Dual 90 CFM Blowers
- Heavy duty steel (16 & 18 gauge) construction offers years and years of dependable service
- All Radiant Plus™ Inserts continue to work if you lose power to your home
- 50% flame and heat turn-down
- The Dancing-Fyre™ burner and Classic Log Set are incredibly realistic and mimic an actual wood burning fire, right down to the flame pattern, highly detailed logs and glowing ember bed
- These inserts feature a direct vent chimney system. All combustion air is drawn from outside your home, and all combustion bi-products are then vented out of your home through a new chimney liner



RADIANT PLUS NATURAL CONVECTION

Our Radiant Plus™ gas inserts have been designed to provide comforting RADIANT heat PLUS the addition of Natural Convection around the firebox for the maximum transfer of warmth into your home.



Proudly Supporting



STEVE WAUGH FOUNDATION

www.stevewaughfoundation.com.au



Australian Home Heating



IAPMO-R&T
OCEANA
GasMark



Distributed in Australia
by Dragon Wholesaling Pty Ltd
Ph. 1800 064 234
www.lopi.com.au

Note: Improper installation of your gas appliance or failure to operate it in accordance to the guidelines detailed in the installation manual may negate warranty and endanger your home and family. Installation information is available on our website at www.lopi.com.au. We recommend all Lopi appliances be installed and maintained on an annual basis by your local authorised Lopi dealer.