

6015 HO GSR2 Fireplace (Aust)

- Direct Vent Fireplace
- Natural Gas or Propane
- Vent Horizontally or Vertically
- Standard Residential
- Mobile Home Approved

Listed by



AS 4553-2008 GMK 10166
IAPMO-R&T OCEANA

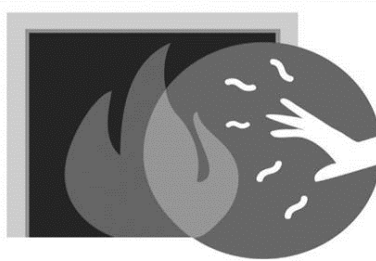
WARNING: If the information in these instructions is not followed exactly, a fire or explosion may result causing property damage, personal injury or loss of life.

- **DO NOT PLACE ARTICLES ON OR AGAINST THIS APPLIANCE.**
 - **DO NOT USE OR STORE FLAMMABLE MATERIALS NEAR THIS APPLIANCE.**
 - **DO NOT SPRAY AEROSOLS IN THE VICINITY OF THIS APPLIANCE WHILE IT IS IN OPERATION.**
 - **DO NOT MODIFY THIS APPLIANCE.**
 - Do not store or use gasoline or other flammable vapors and liquids in the vicinity of this or any other appliance.
- WHAT TO DO IF YOU SMELL GAS**
- Do not try to light any appliance.
 - Do not touch any electrical switch; do not use any phone in your building.
 - Immediately call gas supplier from a neighbor's phone. Follow the gas supplier's instructions.
 - If you cannot reach your gas supplier, call the fire department.
 - Installation and service must be performed by a qualified installer, service agency or the gas supplier.

This appliance may be installed in an aftermarket permanently located, manufactured home (USA only) or mobile home, where not prohibited by local codes.

This appliance is only for use with the type(s) of gas indicated on the rating plate. A conversion kit is supplied with the appliance.

WARNING



**HOT GLASS WILL
CAUSE BURNS.
DO NOT TOUCH GLASS
UNTIL COOLED.
NEVER ALLOW CHILDREN
TO TOUCH GLASS.**

Installation Manual

Installer: After installation give this manual to the home-owner and explain operation of this heater.

Dragon Wholesaling Pty. Ltd.
Unit 4, 16 Lexington Drive
Bella Vista NSW
Australia 2153

Overview

This manual details the installation requirements for the 6015 HO GSR2 fireplace. For operating and maintenance instructions, refer to the 6015 HO GSR2 Owner's Manual.



6015 GSR2 (Au)
Vented Gas Fireplace Heater



Tested to the combustion performance and construction requirements of AS 4553-2008 Gas Space Heating Appliances. This appliance must be installed in accordance with all local codes.

This 6015 GSR2 appliance is equipped from the factory only for use with Natural Gas and is only for use with the type of gas indicated on the rating plate. For conversion to LP (Propane) use a certified kit supplied by the manufacturer. See owner's manual for information on making these changes.

This appliance may be installed in an aftermarket, permanently located, manufactured (mobile) home where not prohibited by local codes.

This vented gas fireplace heater is not for use with air filters. This appliance must be properly connected to a venting system in accordance with the manufacturer's installation instructions. Use only approved coaxial direct vent systems to vent this appliance to the exterior. See owner's manual for approved brands of venting.

WARNING: Improper installation, adjustment, alteration, service or maintenance can cause injury or property damage. Refer to the owner's information manual provided with this appliance. For assistance or additional information consult a qualified installer, service agency or the gas supplier.

This appliance is a Vented Gas Fireplace Heater. Not for use with Solid Fuel.

Young children should be carefully supervised at all times when they are in the same room as the appliance.

Minimum Clearances to Combustibles	
Fireplace to adjacent wall	76 mm
Wood floor beneath fireplace	0 mm
Back to enclosure	4 mm
Base of fireplace to enclosure top	1676 mm
Sides to enclosure	17 mm
Base of fireplace to a mantel	See Owner's Manual

FAN TYPE VENTED CIRCULATOR				
Blower Electrical Rating: 240V, 0.6 Amps, 50 Hz, 76 Watts				
Input Rate on "HJ" (MJ/h)	L.P. 59.1	N.G. 59.1	L.P. 2.74	N.G. 1.15
Input Rate on "LO" (MJ/h)	31.26	31.99	3.24	1.74
Orifice Size - Left (DMS)	#53	2.5mm	2.2	1.0
Orifice Size - Right (DMS)	#53	2.5mm		

This appliance is equipped for installation 0-610 m. For altitudes above 600m, the vent configuration, orifice, or combination of both may need to be changed. See owner's manual for information on making these changes.

MANUFACTURE DATE:		Manufactured by:	
2014	<input type="checkbox"/> Jan. <input type="checkbox"/> Apr. <input type="checkbox"/> Jul. <input type="checkbox"/> Oct.	Certificate Holder:	
2015	<input type="checkbox"/> Feb. <input type="checkbox"/> May <input type="checkbox"/> Aug. <input type="checkbox"/> Nov.	Dragon Wholesaling Pty. Ltd.	
2016	<input type="checkbox"/> Mar. <input type="checkbox"/> Jun. <input type="checkbox"/> Sep. <input type="checkbox"/> Dec.	Unit 4, 16 Lexington Drive Bella Vista NSW 2153 Australia	

www.lopi.com.au

4800 Harbour Pointe Blvd, SW
Mukilteo, WA 98275

TRAVIS INDUSTRIES
HOUSE OF FIRE

Overview 2

Installation Options..... 6

Heating Specifications..... 6

Dimensions 6

Packing List 7

Additional Items Required..... 7

Recommended Installation Procedure..... 7

Fireplace Placement Requirements 8

 Clearances8

 Raised Fireplaces8

Televisions Placed Above the Fireplace..... 9

 Using a Mantel Between the Fireplace and Television9

 Using a Recessed Fireplace Below a Television10

 Using a Recessed Fireplace with a Recessed Television11

Minimum Framing Dimensions – NG (all configurations) or LP with 36” Rise (or greater)... 12

Preparing the Vertical Supports for 66” Tall Framing 13

Minimum Framing Dimensions – LP with Minimum Vent (24” Rise)..... 14

Nailing Brackets – Flush Install 15

Corner Installations..... 16

Removing the Front Panel..... 17

Gas Line Requirements 18

 Fuel18

 Gas Line Connection18

 Gas Inlet Pressure18

 Directions for Connecting a Gas Pressure Test Gauge...18

 Gas Line Location.....19

 Relocating the Gas Line to the Baseplate 19

Electrical Connection..... 20

 Relocating the Electrical Line to the Baseplate 20

Vent Requirements..... 21

 Vent Clearances21

 Vent Firestop21

 Altitude Considerations.....21

 Approved Vent.....21

 Vent Installation.....21

 Vertical Pipe Shield22

 Minimum Vent Pipe Shield – Used for Minimum Vent Applications Only.....23

 Horizontal Termination Exhaust Shield.....24

Approved Vent Configurations 25

 Restrictor Position25

 Exhaust Restrictor25

 Intake Restrictor26

 Diffuser27

Minimum Vent Configuration 28

NG Vent Configurations – Vertical Termination.... 29

NG Vent Configurations – Horizontal Termination (Min. 30” Rise)..... 30

LP Vent Configurations – Vertical Termination..... 31

LP Vent Configurations – Horizontal Termination (Min. 36” Rise)..... 32

Termination Requirements..... 33

Hearth Requirements 34

Non-Combustible Framing (included)..... 35

Facing Requirements 35

 Facing Example – Flush Install.....37

 Facing Example – Tile-Over Install.....38

 Do Not Drill or Screw Zone.....39

Mantel Requirements 40

 Mantel Column Clearances.....41

Use of a Non-Combustible Mantel Below Listed Mantel Clearances 42

Steps for Finalizing the Installation..... 43

 Air Shutter Adjustment44

Glass Frame Removal and Installation 45

Fireback Installation..... 47

Crushed Glass Installation 49

LP Conversion Instructions 50

Wiring Diagram 54

Power Heat Duct Installation 55

Safety Warnings

- Failure to follow all of the requirements may result in property damage, bodily injury, or even death.
- This unit must be installed by a qualified installer to prevent the possibility of an explosion.
- This appliance must be installed in accordance with all local codes, if any; if not, in U.S.A. follow ANSI Z223.1 and NFPA 54(88), in Canada follow CSA B149.1. In Australia follow AS/NZS 5601.1.
- A manufactured home (USA only) or mobile home OEM installation must conform with the Manufactured Home Construction and Safety Standard, Title 24 CFR, Part 3280, or, when such a standard is not applicable, the Standard for Manufactured Home Installations, ANSI/NCSCS A225.1, or Standard for Gas Equipped Recreational Vehicles and Mobile Housing, CSA Z240.4. This appliance may be installed in Manufactured Housing only after the home is site located.
- All exhaust gases must be vented outside the structure of the living-area. Combustion air is drawn from outside the living-area structure. The venting must not be connected to a chimney flue serving a separate solid-fuel burning appliance.
- Notify your insurance company before hooking up this fireplace.
- The room heater should be inspected before use and at least annually by a qualified service person. More frequent cleaning may be required due to excessive lint from carpeting, bedding material, etc.
- The instructions in this manual must be strictly adhered to. Do not use makeshift methods or compromise in the installation. Improper installation will void the warranty and safety listing.
- This heater is approved for use with natural gas (NG) or propane (LP). Burning the incorrect fuel will void the warranty and safety listing and may cause an extreme safety hazard. Direct questions about the type of fuel used to your dealer.
- Contact your local building officials to obtain a permit and information on any installation restrictions or inspection requirements in your area.
- If the flame becomes sooty, dark orange in color, or extremely tall, do not operate the heater. Call your dealer and arrange for proper servicing.
- It is imperative that control compartments, screens, or circulating air passageways of the heater be kept clean and free of obstructions. These areas provide the air necessary for safe operation.
- Do not operate the heater if it is not operating properly in any fashion or if you are uncertain. Call your dealer for a full explanation of your heater and what to expect.
- Do not store or use gasoline or other flammable liquids in the vicinity of this heater.
- Do not operate if any portion of the heater was submerged in water or if any corrosion occurs. Immediately call a qualified service technician to inspect the appliance and to replace any part of the control system and any gas control which has been under water.
- Do not place clothing or other flammable items on or near the heater. Because this heater can be controlled by a thermostat there is a possibility of the heater turning on and igniting any items placed on or near it.
- Light the heater using the built-in igniter. Do not use matches or any other external device to light your heater.
- Never remove, replace, modify or substitute any part of the heater unless instructions are given in this manual. All other work must be done by a trained technician. Don't modify or replace orifices.
- The viewing glass should be opened only for conducting service.
- Any safety screen or guard removed for servicing must be replaced prior to operating the heater.

Safety Warnings (continued)

- Allow the heater to cool before carrying out any maintenance or cleaning.
- Operate the heater according to the instructions included in this manual.
- If the main burners do not start correctly turn the gas off and call your dealer for service.
- This unit is not for use with solid fuel.
- Do not place anything inside the firebox (except approved Travis Industries components).
- **Warning:** Do not operate appliance with the glass front removed, cracked or broken. Replacement of the glass should be done by a licensed or qualified service person.
- Do not throw this manual away. This manual has important operating and maintenance instructions that you will need at a later time. Always follow the instructions in this manual.
- Young children should be carefully supervised when they are in the same room as the appliance. Toddlers, young children and others may be susceptible to accidental contact burns. A physical barrier is recommended if there are at risk individuals in the house. To restrict access to a fireplace or stove, install an adjustable safety gate to keep toddlers, young children and other at risk individuals out of the room and away from hot surfaces.
- Children and adults should be alerted to the hazards of high surface temperature and should stay away to avoid burns or clothing ignition. Do not touch the hot surfaces of the heater. Educate all children of the danger of a high-temperature heater.
- Due to the high temperature, the heater should be located out of traffic and away from furniture and draperies.
- Instruct everyone in the house how to shut gas off to the appliance and at the gas main shutoff valve. The gas main shutoff valve is usually next to the gas meter or propane tank and requires a wrench to shut off.
- **Travis Industries, Inc. grants no warranty, implied or stated, for the installation or maintenance of your heater, and assumes no responsibility of any consequential damage(s).**

SAFETY WARNINGS:

- **DO NOT PLACE ARTICLES ON OR AGAINST THIS APPLIANCE.**
- **DO NOT USE OR STORE FLAMMABLE MATERIALS NEAR THIS APPLIANCE.**
- **DO NOT SPRAY AEROSOLS IN THE VICINITY OF THIS APPLIANCE WHILE IT IS IN OPERATION.**
- **DO NOT MODIFY THIS APPLIANCE.**
- **THIS INSTALLATION MUST CONFORM WITH THE FOLLOWING:**
 - Manufacturer's Installation instructions
 - Local Gas Fitting Regulations
 - Municipal Building Codes,
 - Refer to AS/NZS 5601.1 for Gas Installations.
 - S.A.A. Wiring Code
 - Local Electrical Regulations
 - Any other statutory regulations
- **NOT SUITABLE FOR MARINE USE.**
- **NOT INTENDED FOR FIREPLACE INSERT.**
- **APPLIANCES INCORPORATING A LIVE FUEL EFFECT, AND DESIGNED TO OPERATE WITH LUMINOUS FLAMES, MAY EXHIBIT SLIGHT CARBON DEPOSITION.**

6

Features and Specifications

Installation Options

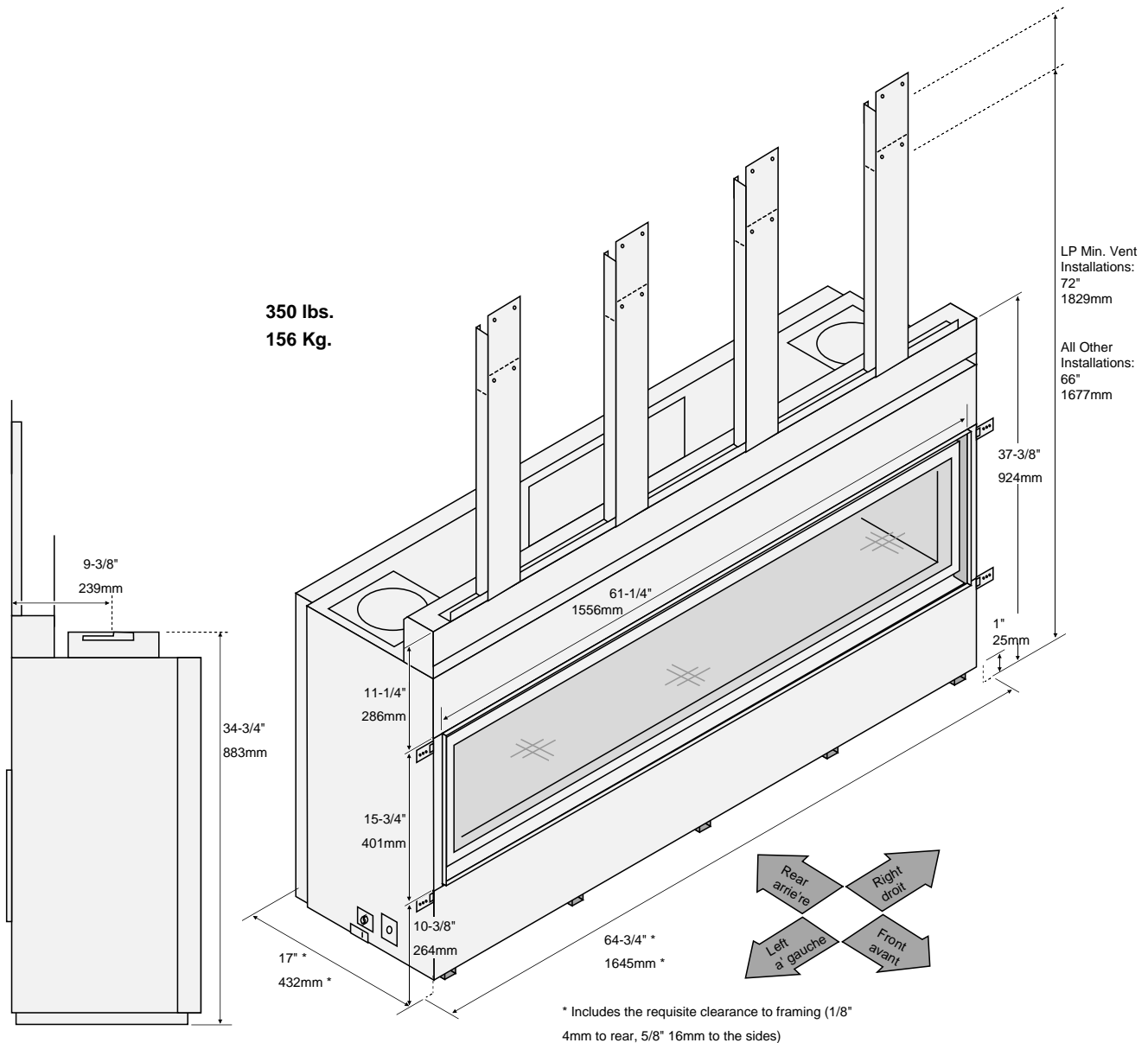
- Residential or Mobile Home
- Straight or Corner Placement
- Raised or Floor Placement
- Internal or External Chase
- Bedroom Approved

Heating Specifications

	Natural Gas	Propane
Approximate Heating Capacity (in square meters)*	Up to 260	Up to 260
Maximum BTU Input Per Hour (MJ/H)	59.1	59.1

* Heating capacity will vary with floor plan, insulation, and outside temperature.

Dimensions



Packing List

- Propane Conversion Parts
- Remote Control
- 4 AA Batteries, 3 AAA Batteries
- Glass Latch Tool
- (2) Firestops (8" Diameter)
- Non-Combustible Framing (3 pieces)
- Minimum Vent Pipe Shield
- Horizontal Termination Exhaust Shield

Additional Items Required

- **If using LP (propane) a conversion kit is required (4-pack = 94400999, single = 250-01463).**
- Gas Line Equipment (shutoff valve, pipe, etc.)
- Electrical Equipment (min. 14 gauge, grounded line)
- **This Fireplace Requires Firebacks and 10 lbs. of 1/4" Crushed Glass**

<u>Firebacks</u>	96100981 Stainless Steel 96100982 Black Enamel 96100983 Black Painted 96100984 LedgeStone
<u>Crushed Glass</u>	94500580 Platinum (10 lbs.) 94500581 Bronze (10 lbs.) 94500582 Cobalt (10 lbs.) 94500583 Black (10 lbs.)

Recommended Installation Procedure

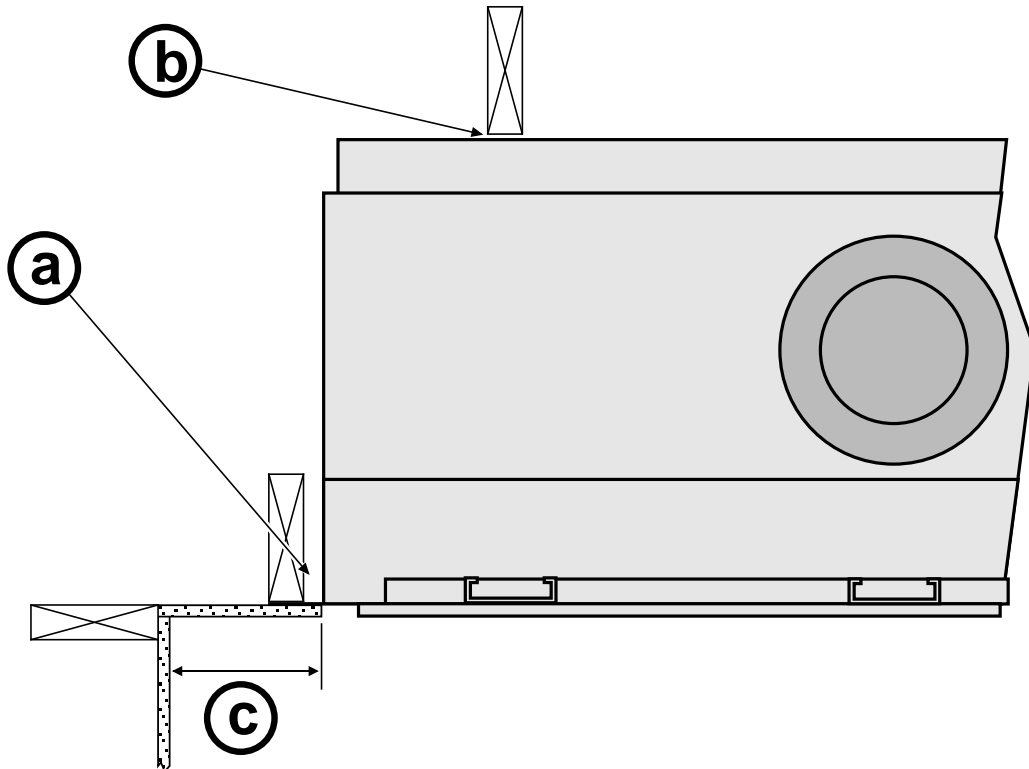
- Frame the opening for the fireplace. Make sure to allow for vent installation.
- This fireplace is designed to accommodate 1/2" (13mm) drywall (see "Nailing Brackets" on page 13 for details). Secure the fireplace to the framing.
- Install the vent, gas line and electrical hook-up.18
- Install the drywall.
- Install the hearth (if applicable).
- Install the facing (if applicable).
- Install the mantel (if applicable).
- Finalize the installation (see page 43).

Fireplace Placement Requirements

- Fireplace must be installed on a level surface capable of supporting the fireplace and vent
- Fireplace must be placed directly on wood or non-combustible surface (not on linoleum or carpet)
- Fireplace should be located out of traffic and away from furniture and draperies.
- Fireplace must be placed so the gaps below and above the glass frame do not become blocked.
- Fireplace may be placed in a bedroom. Please be aware of the large amount of heat this appliance produces when determining a location.

Clearances

- (a) Clearance to Side of Fireplace 5/8" (16mm). Do not place insulation in this space.
NOTE: Drywall or other combustible may contact the side of the fireplace in front of the framing. The material must not protrude in front of the fireplace and may be a maximum 1/2" (13mm) thick.
- (b) Clearance to Back of Fireplace 1/8" (4mm). Do not place insulation in this space.
- (c) When installed, walls in front of the fireplace must be a minimum 3" (77mm) to the side of the fireplace.



Raised Fireplaces

- The fireplace (and hearth, if desired) may be placed on a platform designed to support the fireplace and vent.
- The base of the fireplace must be a minimum 66" below the room ceiling.



The firebox opening is approximately 10.375" (264mm) above the base of the fireplace. For a typical raised fireplace of 36" (915mm), place the fireplace on a platform 25.625" (651mm) tall.

LP MIN VENT APPLICATIONS: Framing opening for LP min vent applications is 72" (1829mm).
MAKE SURE TO ACCOMMODATE THE REQUIRED FRAMING OPENING.

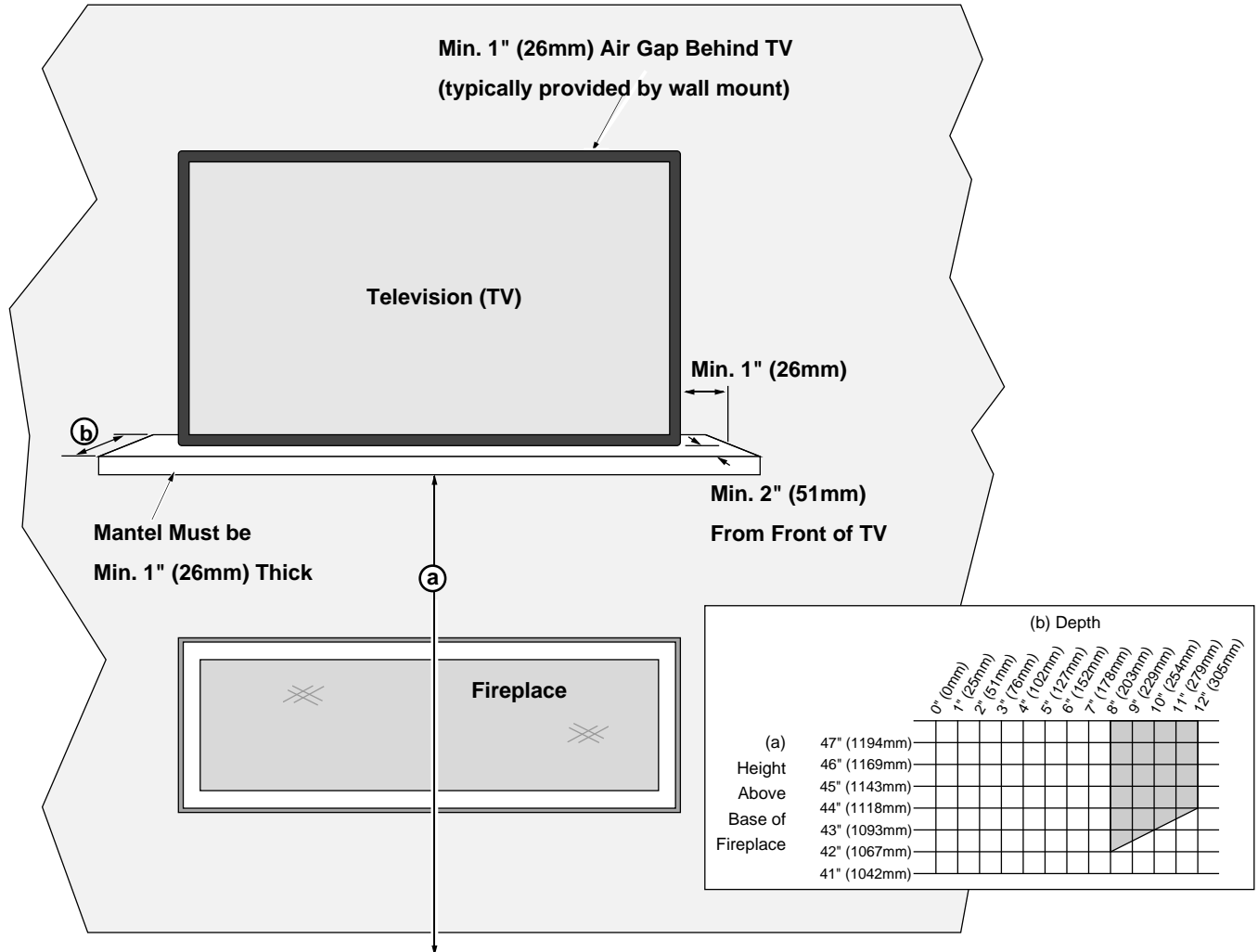
Televisions Placed Above the Fireplace

The following section details three methods to allow for television installation above the fireplace.

Using a Mantel Between the Fireplace and Television

IMPORTANT NOTE REGARDING TELEVISIONS AND THIS FIREPLACE

Most television manufacturers instruct the homeowner to not place the television above a heat source. Doing so may negatively affect the longevity of the television and may negate the warranty. If you do place a television above the fireplace, please be aware of the large amount of heat generated by the fireplace and consider placing the television above a mantel to reduce the amount of heat that reaches the television. The homeowner must understand that Travis Industries does not take responsibility for any negative impact to televisions placed near this fireplace.



Minimum Dimensions:

(a) Mantel Height above Base of Fireplace Mantel must fall within shaded portion of the chart above.	42" (1067mm) with 8" (203mm) mantel depth See chart above if using a larger mantel.
(b) Mantel Depth*	Minimum 8" (203mm)

* **NOTE:** The minimum mantel depth is 8". This allows heat to travel forward and dissipate.

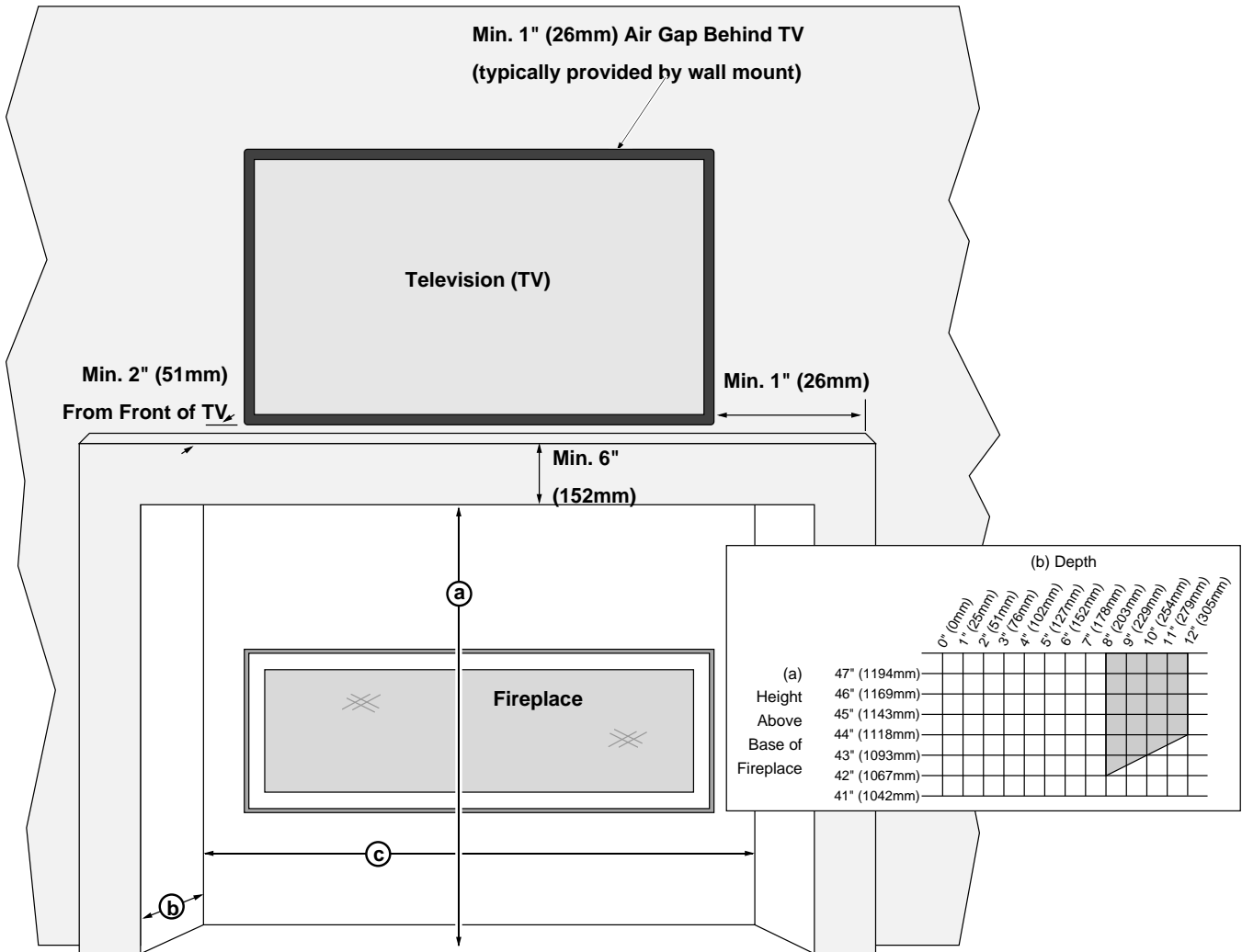
EXAMPLES: If you have a TV that is greater than 6" deep (including the 1" gap behind), you will need to alter the mantel depth and height. If your TV is 9" deep (including the 1" gap behind), the mantel should be 11" (this provides the necessary 2" recess for the TV). The 11" mantel would require a 43.5" (292mm) mantel height (see chart above).

WIRING NOTE: If running wiring into the enclosure, use thermal insulating wrap around the wiring. Secure the wiring to protect from contact with hot surfaces.

Using a Recessed Fireplace Below a Television

IMPORTANT NOTE REGARDING TELEVISIONS AND THIS FIREPLACE

Most television manufacturers instruct the homeowner to not place the television above a heat source. Doing so may negatively affect the longevity of the television and may negate the warranty. If you do place a television above the fireplace, please be aware of the large amount of heat generated by the fireplace and consider placing the television above a mantel to reduce the amount of heat that reaches the television. The homeowner must understand that Travis Industries does not take responsibility for any negative impact to televisions placed near this fireplace.



Minimum Dimensions:

(a) Fireplace Recess Height above Base of Fireplace Recess must fall within shaded portion of the chart above.	42" (1067mm) with 8" (203mm) recess depth See chart above if using a larger recess.
(b) Fireplace Recess Depth plus Mantel Depth*	Minimum 8" (203mm)
(c) Fireplace Recess Width	69.5" (1766mm)

* **NOTE:** The minimum recess plus mantel depth is 8". This allows heat to travel forward and dissipate.

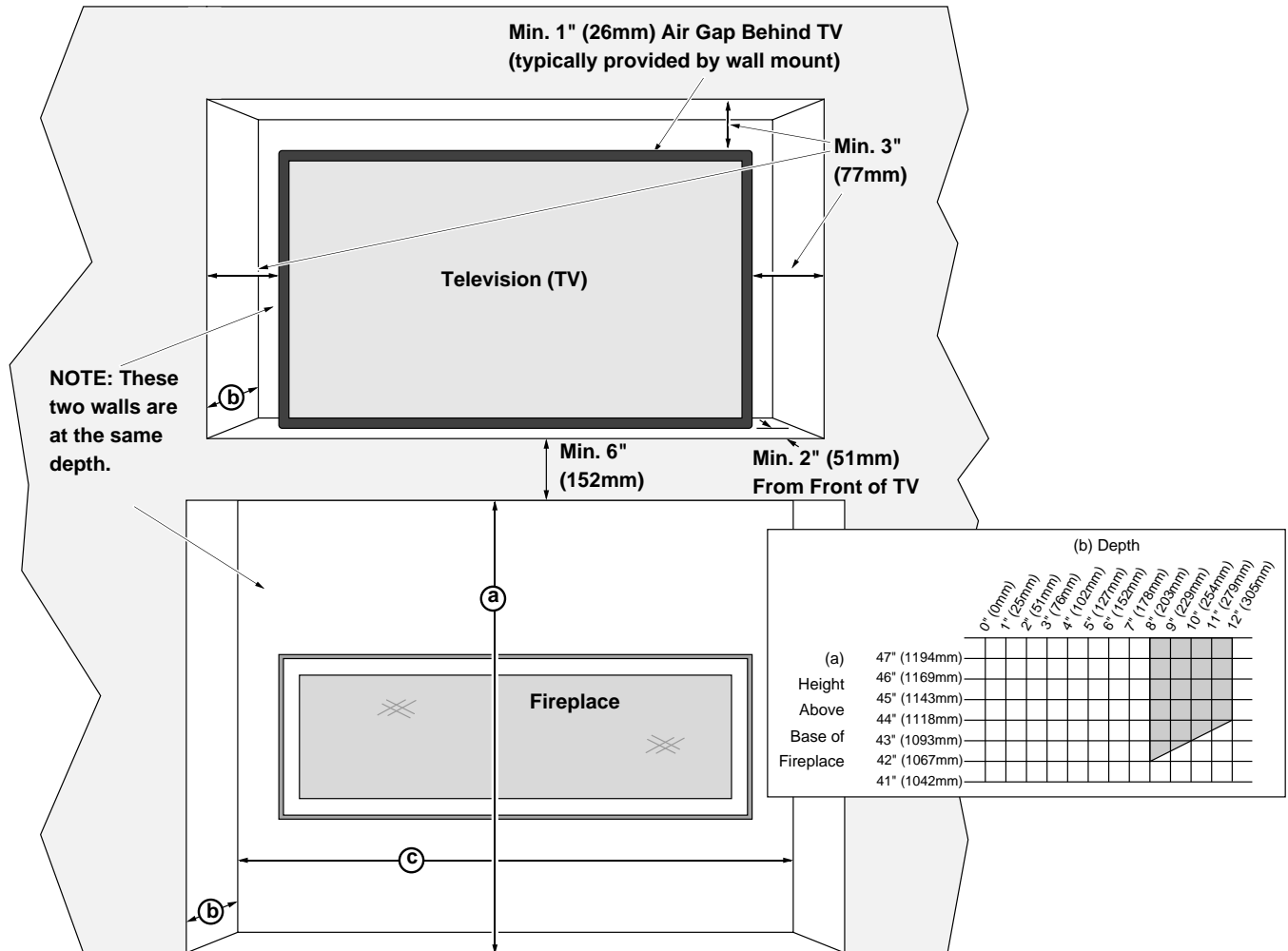
EXAMPLES: If you have a TV that is 3" deep (including the 1" gap behind), you will need to put in a 5" mantel (the 2" is measured from the front of the TV). The fireplace can then be recessed 3" into the wall to allow for the 8" of recess plus mantel depth.

WIRING NOTE: If running wiring into the enclosure, use thermal insulating wrap around the wiring. Secure the wiring to protect from contact with hot surfaces.

Using a Recessed Fireplace with a Recessed Television

IMPORTANT NOTE REGARDING TELEVISIONS AND THIS FIREPLACE

Most television manufacturers instruct the homeowner to not place the television above a heat source. Doing so may negatively affect the longevity of the television and may negate the warranty. If you do place a television above the fireplace, please be aware of the large amount of heat generated by the fireplace and consider placing the television above a mantel to reduce the amount of heat that reaches the television. The homeowner must understand that Travis Industries does not take responsibility for any negative impact to televisions placed near this fireplace.



Minimum Dimensions:

(a) Fireplace Recess Height above Base of Fireplace Recess must fall within shaded portion of the chart above.	42" (1067mm) with 8" (203mm) recess depth See chart above if using a larger recess.
(b) Fireplace/TV Recess Depth*	Minimum 8" (203mm)
(c) Fireplace Recess Width	69.5" (1766mm)

* **NOTE:** The minimum recess depth is 8". This allows heat to travel forward and dissipate.

EXAMPLES: If you have a TV that is greater than 6" deep (including the 1" gap behind), you will need to alter the fireplace recess depth and height. If your TV is 9" deep (including the 1" gap behind), the recess should be 11" (this provides the necessary 2" recess for the TV). The 11" recess would require a 43.5" (292mm) fireplace recess height (see chart above).

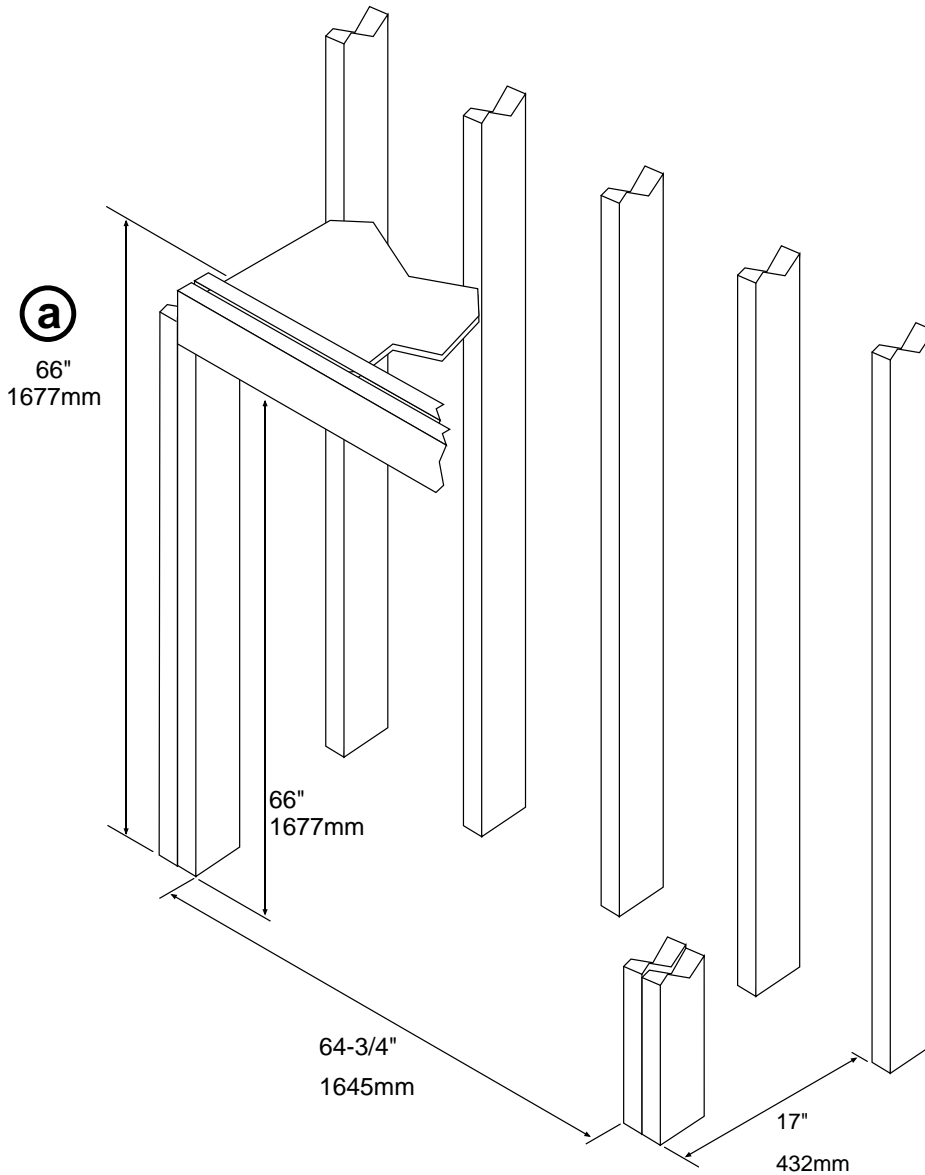
If you have a TV that is 3" deep (including the 1" gap behind), you will need to put in a 5" mantel (the 2" is measured from the front of the TV). The fireplace can then be recessed 3" into the wall to allow for the 8" of recess plus mantel depth.

WIRING NOTE: If running wiring into the enclosure, use thermal insulating wrap around the wiring. Secure the wiring to protect from contact with hot surfaces.

12

Installation (for qualified installers only)

Minimum Framing Dimensions – NG (all configurations) or LP with 36" Rise (or greater)

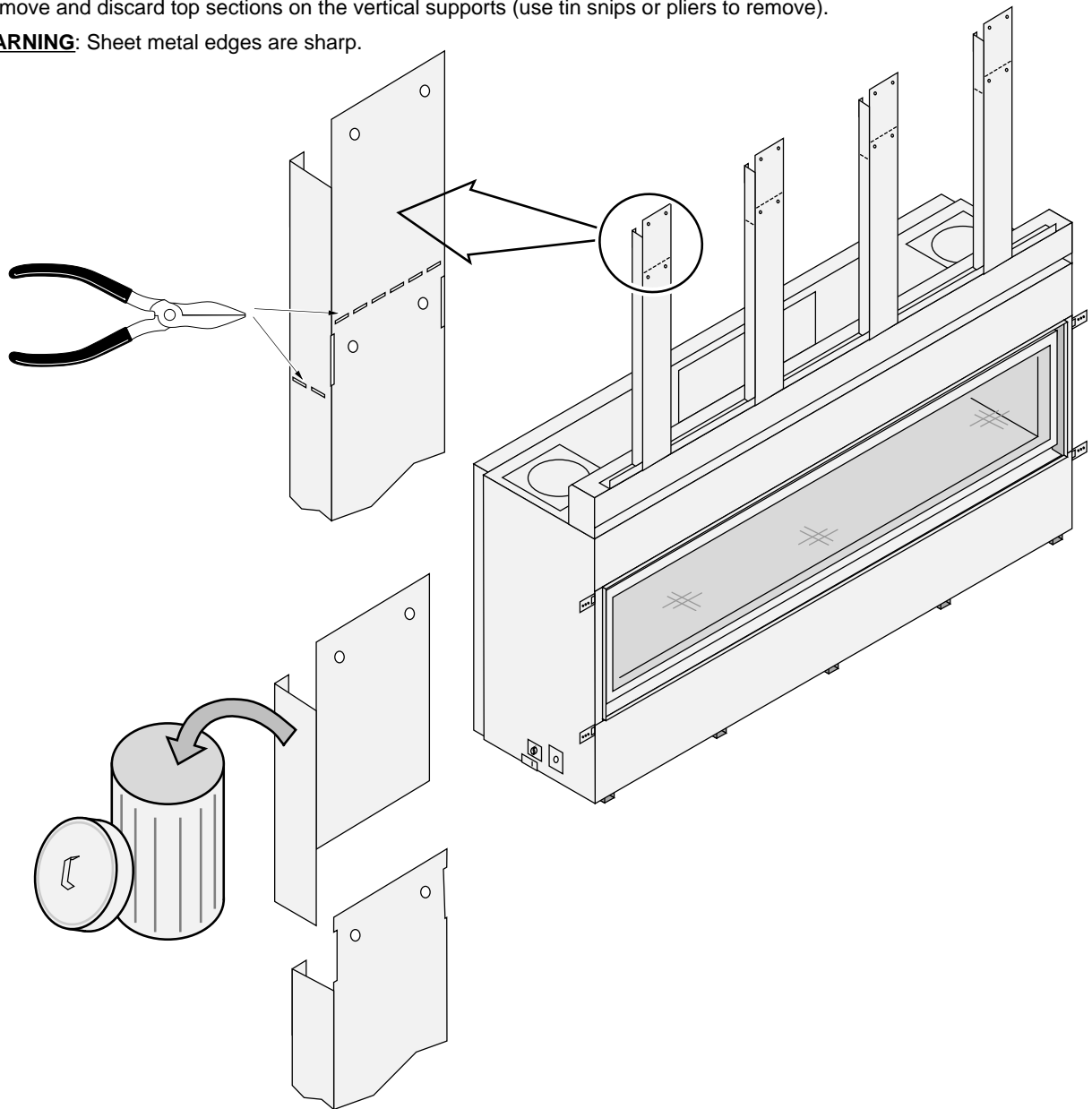


a The fireplace enclosure must be a minimum 66" tall (do not build into the fireplace enclosure)

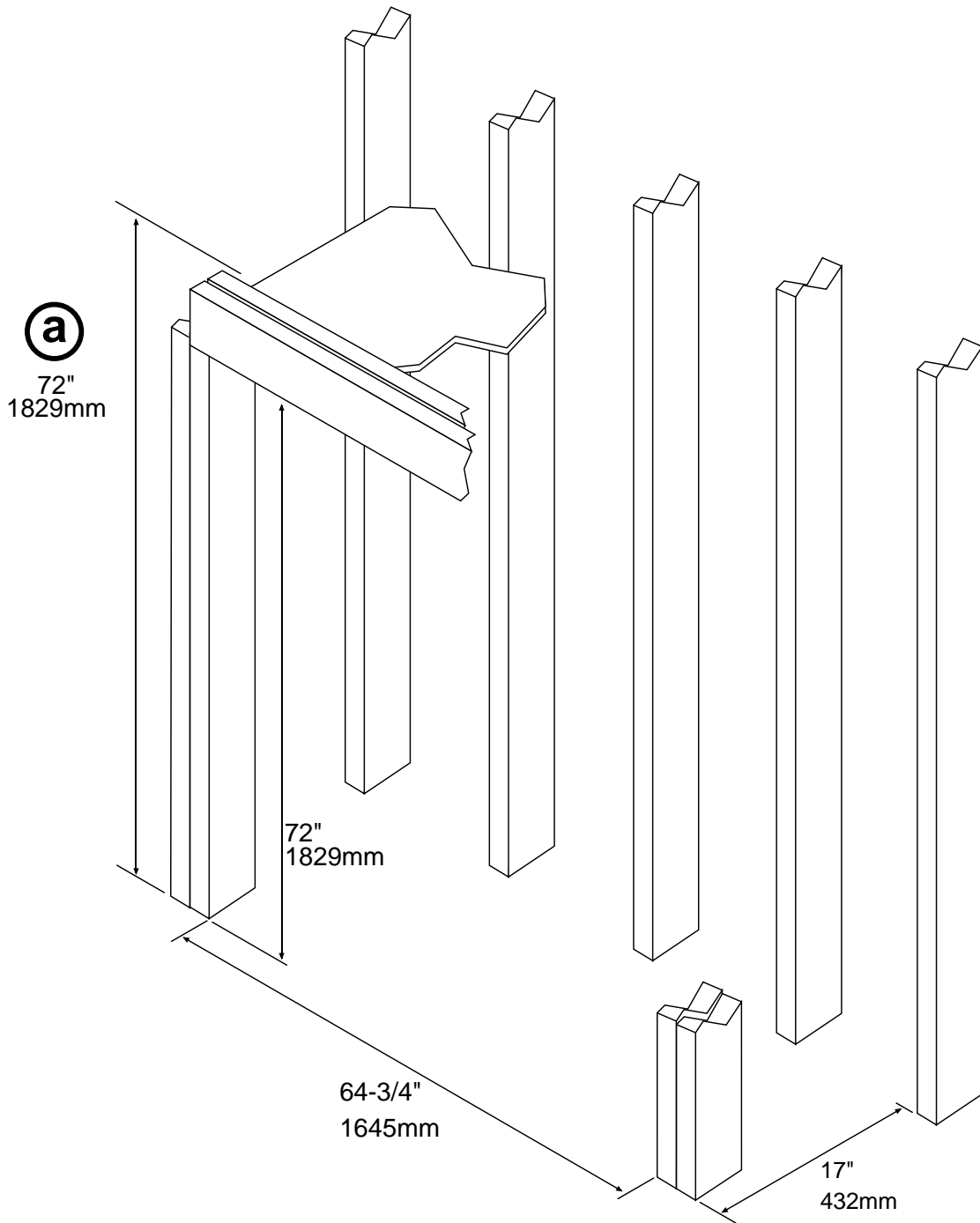
Preparing the Vertical Supports for 66" Tall Framing

Remove and discard top sections on the vertical supports (use tin snips or pliers to remove).

WARNING: Sheet metal edges are sharp.



Minimum Framing Dimensions – LP with Minimum Vent (24" Rise)

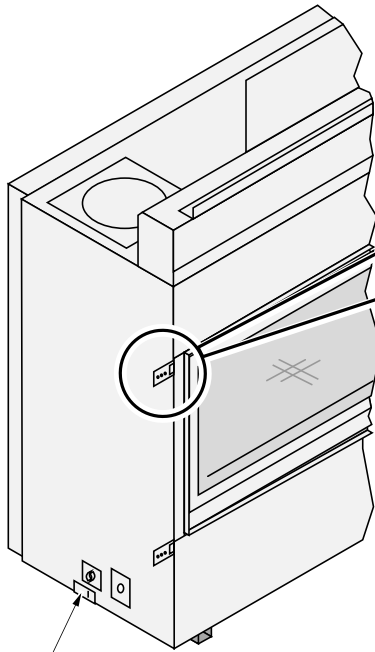


(a) The fireplace enclosure must be a minimum 72" (1829mm) tall (do not build into the fireplace enclosure)

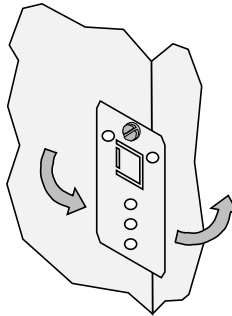
Nailing Brackets – Flush Install

The fireplace has nailing brackets on both sides. Secure the fireplace to the framing.

NOTE: Make sure the fireplace is square and plumb when placed in the framing. Measured corner-to-corner the fireplace should be square. Use shims to insure the fireplace is square.

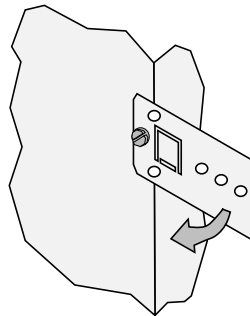


(a)



Rotate the two nailing brackets out (each side)

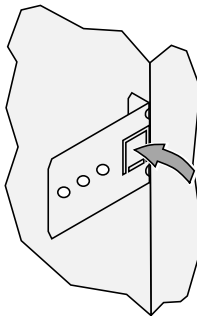
(b)



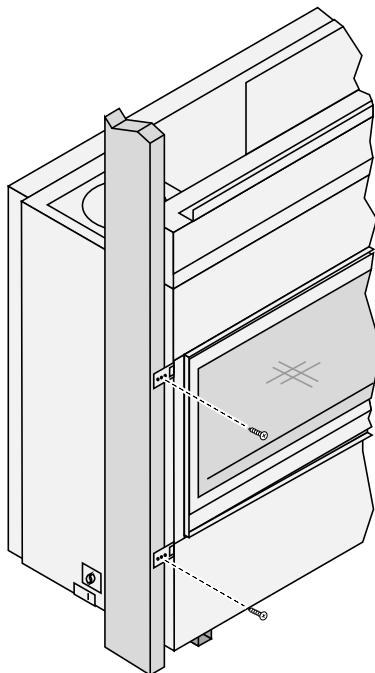
Bend the two nailing brackets out (each side)

NOTE: if you can not use the front nailing brackets, an additional bracket is supplied on the side that allows the fireplace to be secured to the floor (bend tab down and secure).

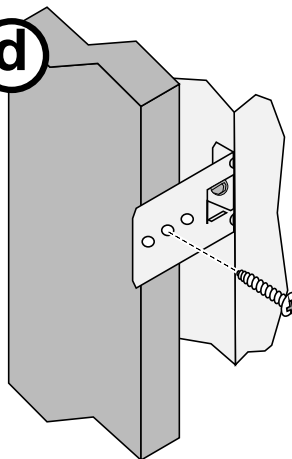
(c)



Bend this 5/8" (16mm) tab back. It acts as a standoff and helps center the fireplace in the framing.



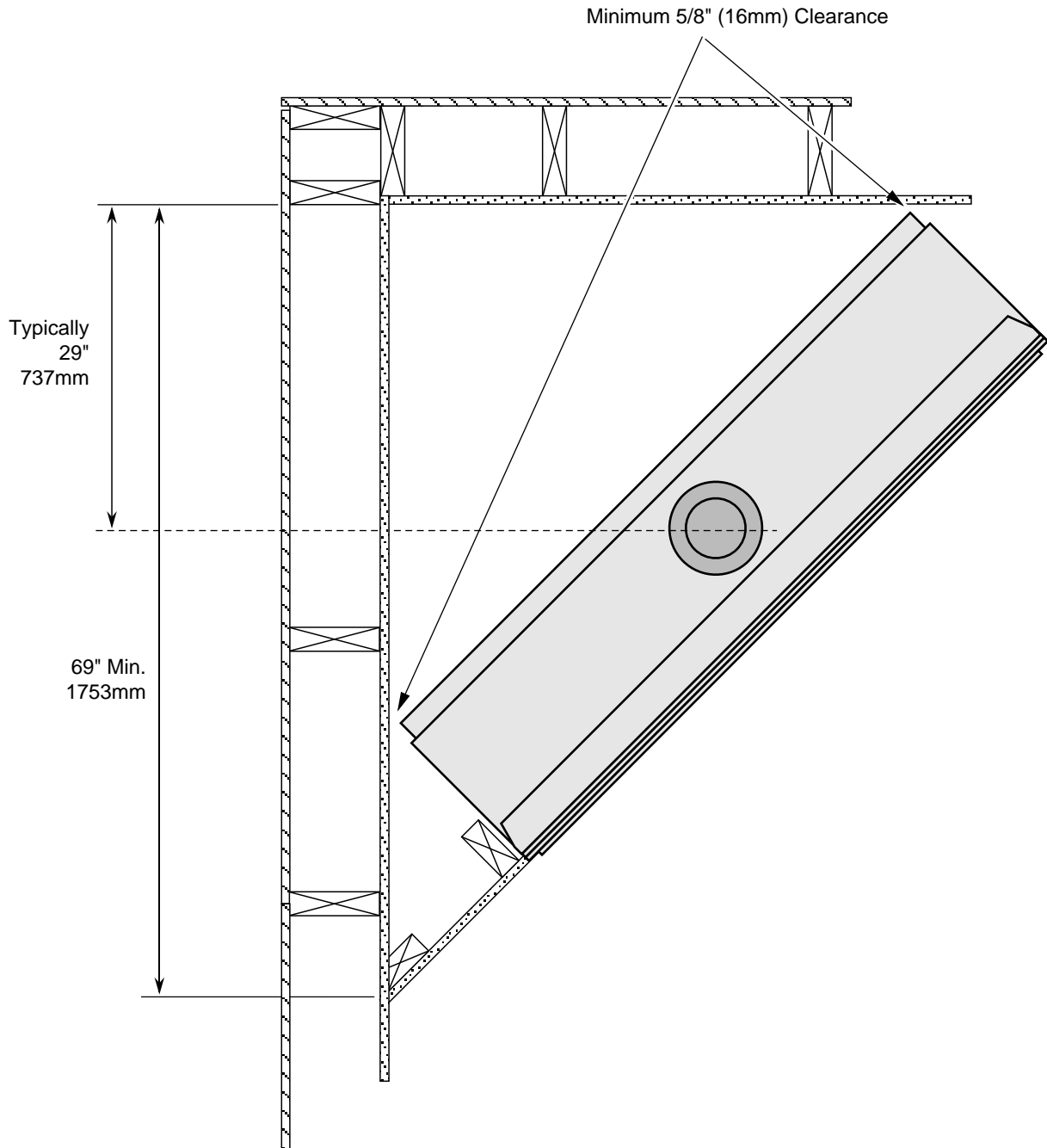
(d)



Secure the fireplace to the framing using the nailing brackets

Corner Installations

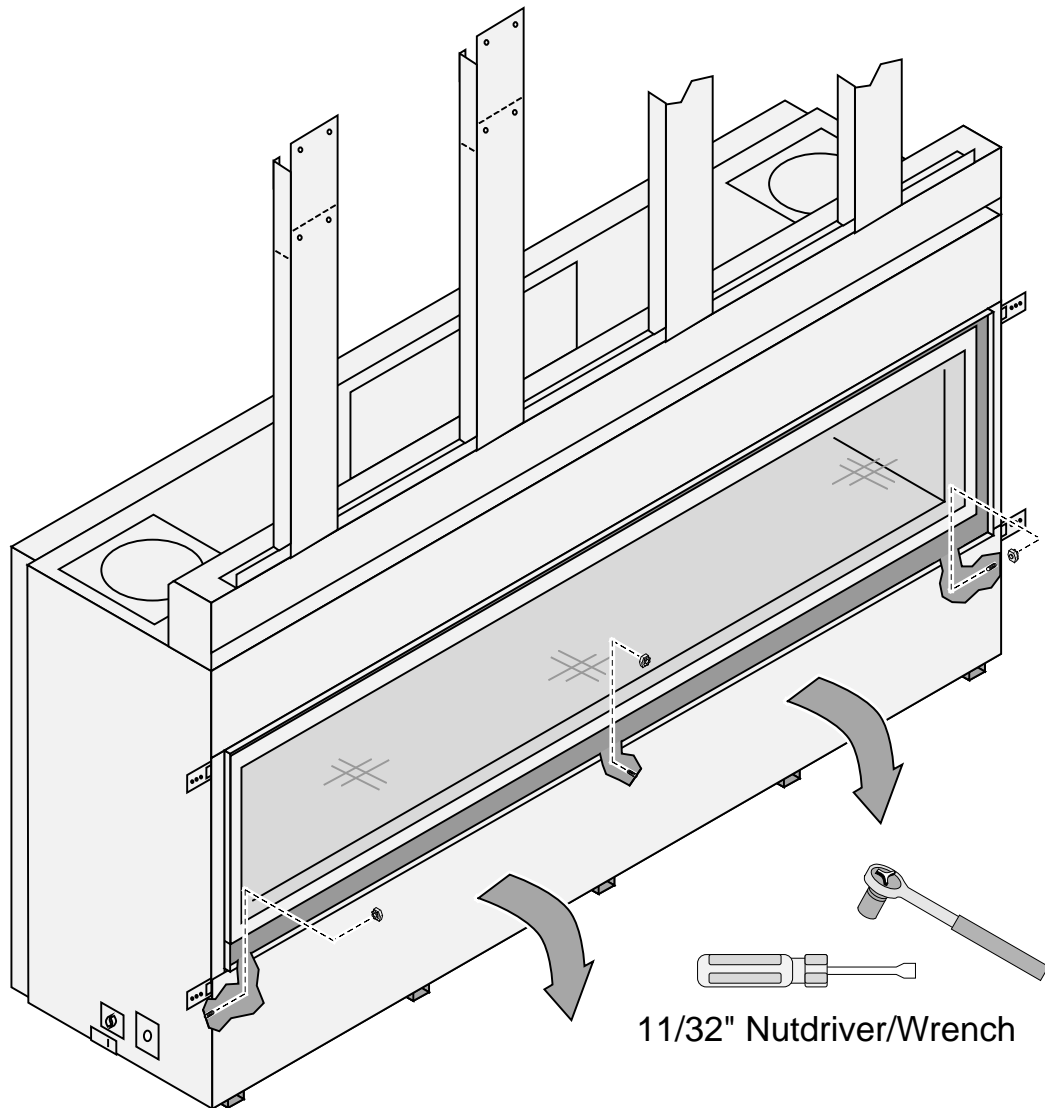
A typical 45° installation uses the framing dimensions shown in the illustration below (NOTE: all clearances still apply).



Removing the Front Panel

The front cover may be removed to access the components. This is required when relocating the electrical or gas inlet location. To remove the front cover

- (a) Remove the center nut.
- (b) Loosen the two outer nuts.
- (c) Rotate the front panel down.
- (d) Remove the front cover.



11/32" Nutdriver/Wrench



Gas Line Requirements

MASSACHUSETTS INSTALLATIONS - **WARNING:**

THIS PRODUCT MUST BE INSTALLED BY A LICENSED PLUMBER OR GAS FITTER WHEN INSTALLED WITHIN THE COMMONWEALTH OF MASSACHUSETTS.

OTHER MASSACHUSETTS CODE REQUIREMENTS:

- Flexible connector must not be longer than 36 inches.
 - Shutoff valve must be a "T" handle gas cock.
 - Only direct vent sealed combustion products are approved for bedrooms or bathrooms.
 - Fireplace dampers must be removed or welded in the open position prior to the installation of a fireplace insert or gas log.
 - A carbon monoxide (CO) detector is required in the same room as the appliance.
- The gas line must be installed in accordance with all local codes and the requirements listed below. In the absence of local codes, follow ANSI 223.1 in US/Canada or AS/NZS 5601.1 in Australia.
 - The fireplace and gas control valve must be disconnected from the gas supply piping during any pressure testing of that system at test pressures in excess of 1/2 psig (3.5 kPa). For pressures under 1/2 psig (3.5 kPa), isolate the gas supply piping by closing the manual shutoff valve.
 - Leak test all gas line joints and the gas control valve prior to and after starting the fireplace.
 - This unit has been listed using the included internal gas shutoff valve.

Fuel

- This fireplace is designed either for natural gas or for propane (but not for both).

Gas Line Connection

- Installation must be performed by a qualified installer, service agency or the gas supplier (In Massachusetts a licensed plumber/gasfitter).

Gas Inlet Pressure

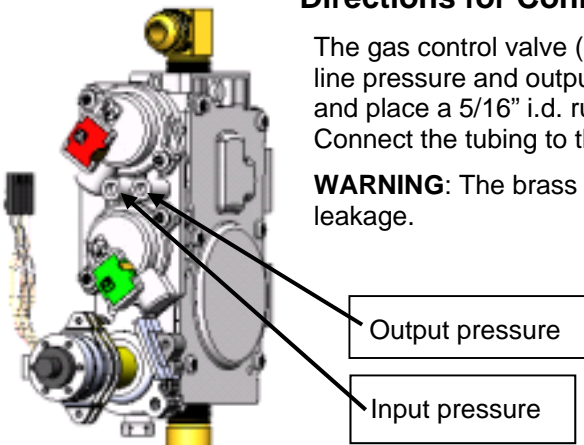
	Standard Input Pressure
Natural Gas	1.74 kPa (Min. 1.13 kPa)
Propane	2.74 kPa

- If the pressure is not sufficient, make sure the piping used is large enough, the supply regulator is adequately adjusted, and the total gas load for the residence does not exceed the amount supplied.
- The supply regulator (the regulator that attaches directly to the residence inlet or to the propane tank) should supply gas at the input pressure listed above. Contact the local gas supplier if the regulator is at an improper pressure.

Directions for Connecting a Gas Pressure Test Gauge

The gas control valve (shown to the left) has two accessible ports for testing line pressure and output pressure. Loosen the brass screw on either test port and place a 5/16" i.d. rubber or plastic tubing over the tapered test port. Connect the tubing to the test gauge.

WARNING: The brass screw must be tightened after testing to prevent gas leakage.

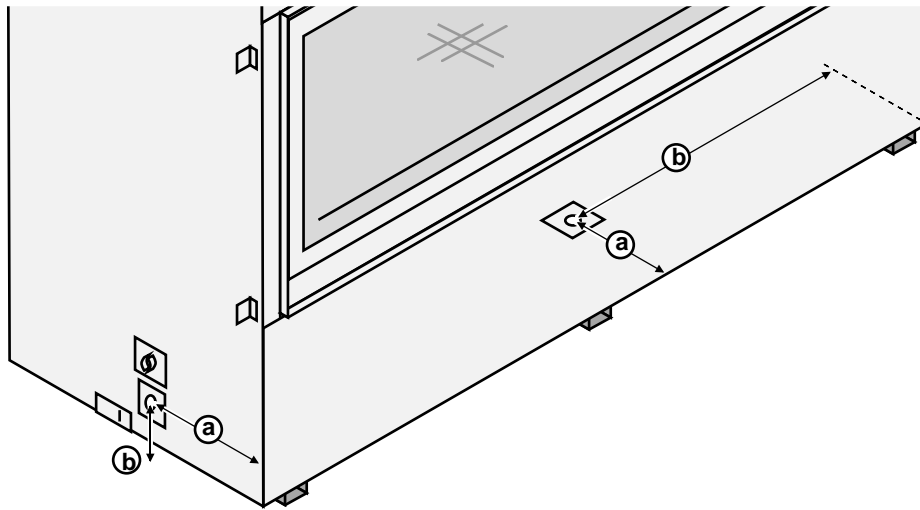


Gas Line Location

NOTE FOR RIGID PIPE: When using rigid pipe, you may wish to disconnect the shutoff valve from the fireplace and route the pipe through the fireplace wall. First, disconnect the gas line from the shutoff valve (see step 1 below). Then remove the shutoff valve from the cover plate (4 screws outside fireplace). The pipe may be routed through the cover plate and the shutoff valve and gas line may be re-attached inside the fireplace.

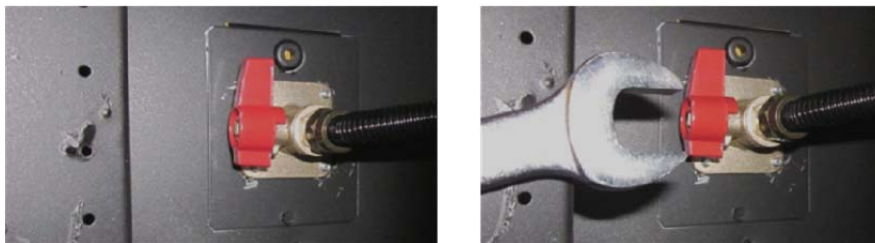
Gas line may be plumbed from the left side (stock) or below. See illustration and table below to determine gas line location.

	a	b
Left Side Gas Line Location (Stock)	6-7/8" (175mm)	4-1/8" (105mm)
Baseplate Gas Line Location	6-3/4" (172mm)	26-3/4" (680mm)

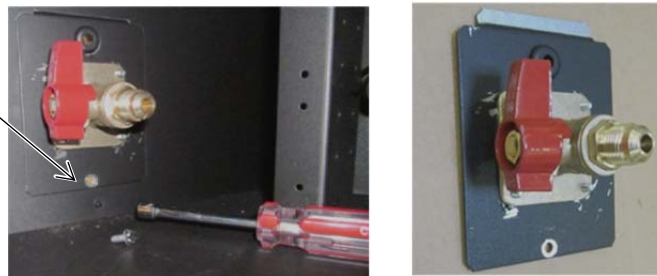


Relocating the Gas Line to the Baseplate

1. Disconnect the gas line from the shutoff valve (3/4" wrench). Gas line is located inside the fireplace on the left side.



2. Remove the screw that holds the shutoff valve plate in place (1/4" nutdriver). Remove the shutoff valve plate.



3. Remove the cover plate from the bottom of the fireplace (it is held in place in the same fashion as the shutoff valve plate). Attach it to the left side of the fireplace.
4. Attach the shutoff valve plate to the bottom of the fireplace. Route the gas line to the bottom and re-attach the gas line to the shutoff valve. Make sure to leak test the entire gas line.

Electrical Connection

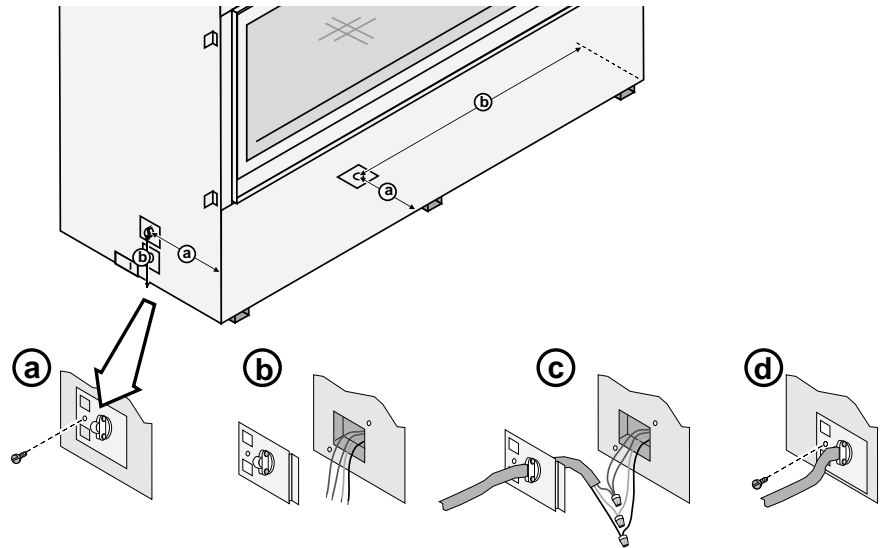
- The electrical line to the grounded receptacle inside the fireplace must be installed by a qualified installer and must meet all local codes.
- Make sure the household breaker is shut off prior to working on any electrical lines.
- The appliance, when installed, must be electrically grounded in accordance with local codes or, in the absence of local codes, with the National Electrical Code, ANSI/NFPA 70, or the Canadian Electrical Code, CSA C22.1.
- The electrical line must be a min. 14 gauge, and supply 240 Volts, 50 Hz, and 5.7 Amps.
- Route the electrical connection through the junction box cover plate and attach to the hookup wires pictured below.

Caution: Label all wires prior to disconnection when servicing controls. Wiring errors can cause improper and dangerous operation.



Do not connect 240 VAC to the gas control valve or wiring system of this fireplace.

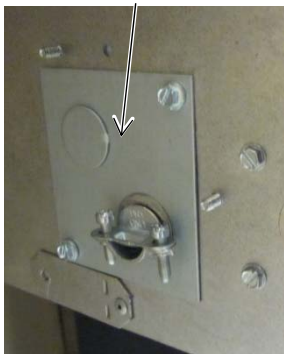
	a	b
Left Side Electrical Location (Stock)	9-1/2" (241mm)	4" (102mm)
Baseplate Electrical Location	6-7/8" (175mm)	35/8" (905mm)



Relocating the Electrical Line to the Baseplate

Remove the front panel (see page 17). Remove the junction box from the left side (keep the screws). Remove the cover plate from the baseplate (keep the screws). Attach the junction box to the baseplate (make sure all wiring is kept from contacting hot or moving components). Attach the cover plate to the left side.

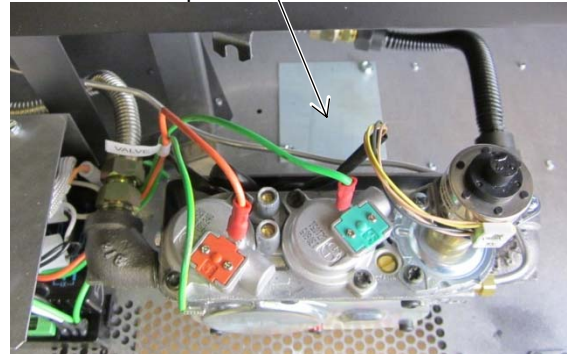
Junction Box



Junction Box (from inside fireplace)



Baseplate Cover Plate



Vent Requirements

- The gas appliance and vent system must be vented directly to the outside of the building, and never be attached to a chimney serving a separate solid fuel or gas-burning appliance. Each direct vent gas appliance must use its own separate vent system.
- In addition to the requirements listed here, follow the requirements provided with the vent.

Vent Clearances

- The vent must maintain the required clearance to combustible materials to prevent a fire. Do not fill air spaces with insulation.

Minimum Vent Configurations (see page 28)

Minimum Clearance Above Vent	4" (104mm)
Minimum Clearance to Sides & Below Vent	1" (25mm)

NOTE: Make sure to use the included firestops with this configuration.

All Other Vent Configurations

Minimum Clearance to Vent	1" (25mm)
---------------------------	-----------

Vent Firestop

- A firestop is required whenever the vent penetrates a wall, floor, or ceiling (passes through framing members).

Altitude Considerations

- This heater has been tested at altitudes ranging from sea level to 6,000 feet (1800 M). In this testing we have found that the heater, with its standard orifice, burns correctly with just an air shutter adjustment.
- Failure to adjust the air shutter properly may lead to improper combustion which can create a safety hazard. Consult your dealer or installer if you suspect an improperly adjusted air shutter.

Approved Vent

- Always use the high-wind cap. The **high-wind sconce cap is not allowed**.
- Installation instructions for Simpson Dura-Vent may be found at www.duravent.com.

Use 8" diameter Simpson Dura-Vent Model Direct-Vent Pro (or GS)*.

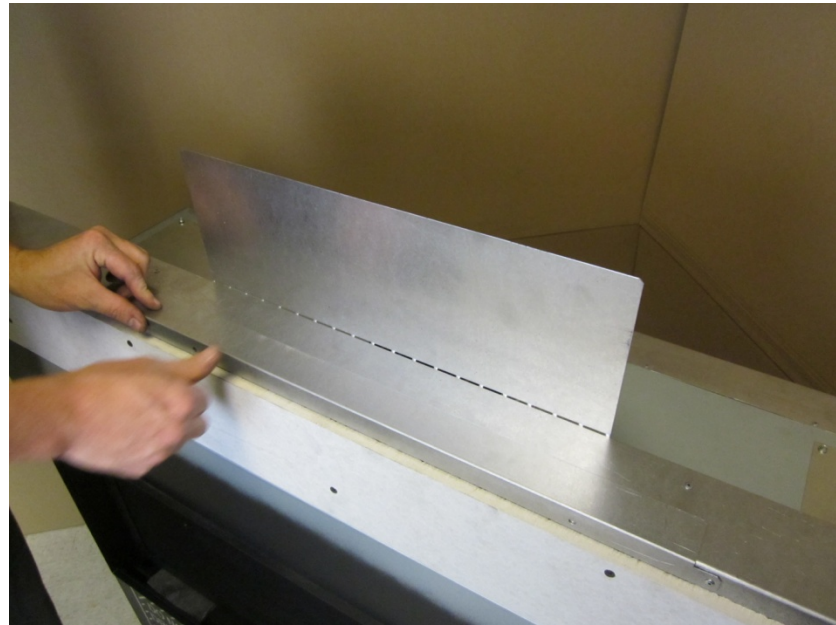
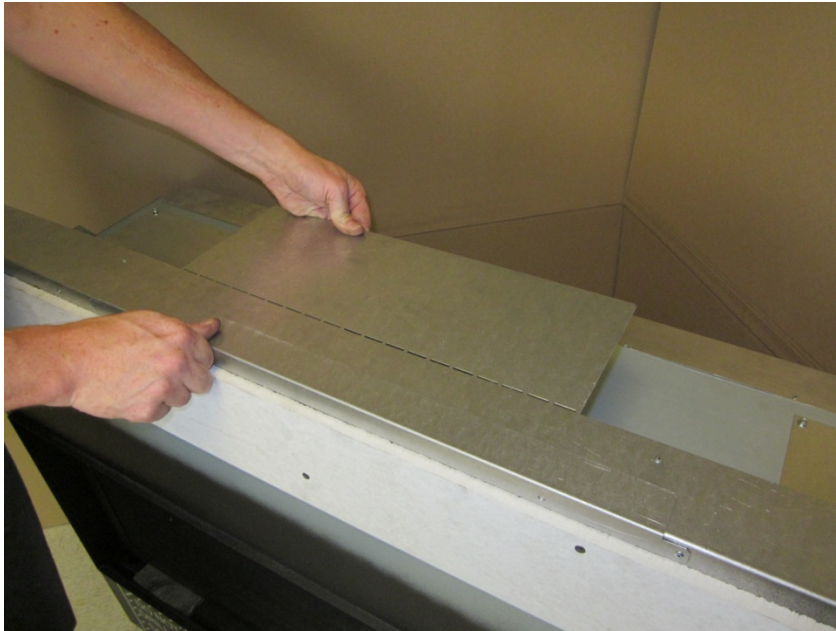
* Other vent may be approved with this fireplace. Check with the vent manufacturer for details).

Vent Installation

- Slide the vent sections together and turn 1/4 turn until the sections lock in place.
- Screws are not required to secure the vent. However, three screws may be used to secure vent sections together if desired.
- High temperature sealant is recommended at the appliance starter section connection (use high-temperature silicone or Mill-Pac®).
- If disassembly is required, at time of re-assembly check to see if the vent creates a tight fit. If it does not, apply high temperature sealant to the joints of the affected sections.
- Horizontal sections require a 1/4" (6mm) rise every 12" (305mm) of travel.
- Horizontal sections require non-combustible support every three feet (e.g.: plumbing strap).

Vertical Pipe Shield

The vertical pipe shield must be bent to a vertical position after the fireplace is in position.

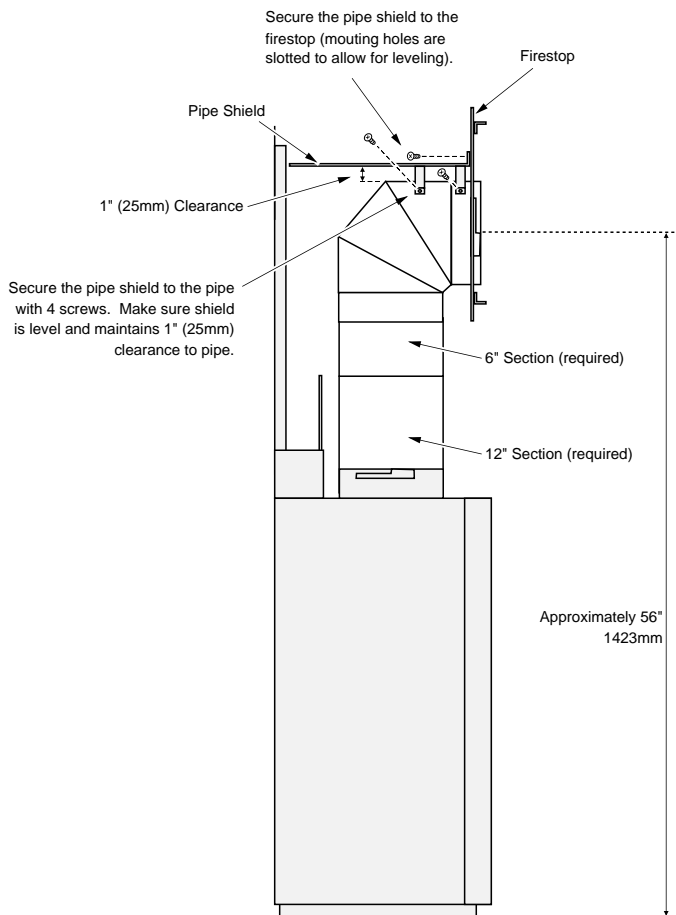


Minimum Vent Pipe Shield – Used for Minimum Vent Applications Only

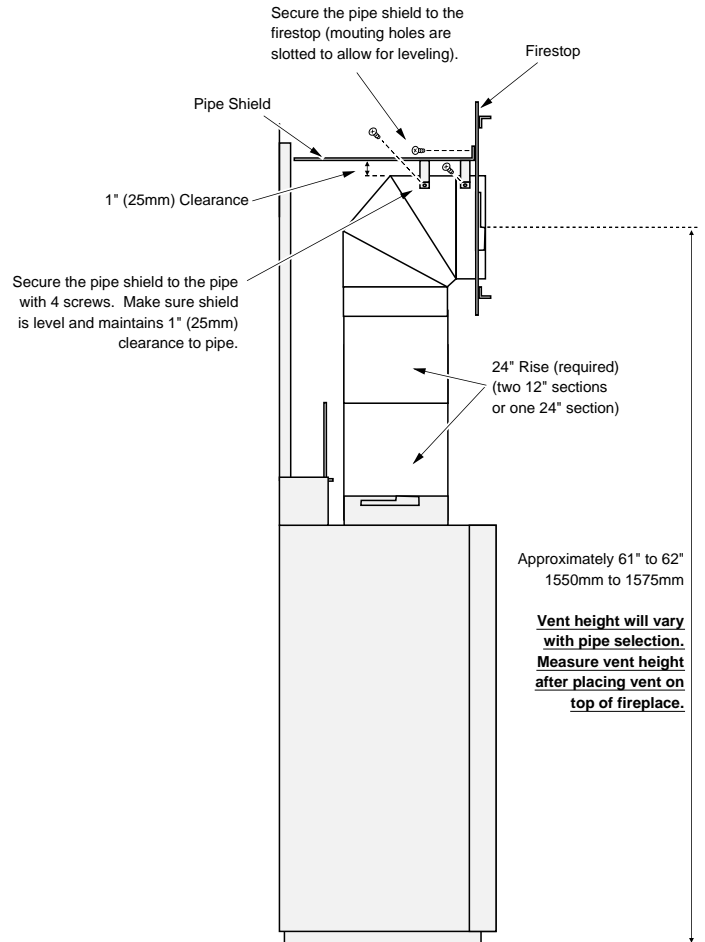
The minimum vent pipe shield is required when running minimum vent configurations (see page 28). The shield is shipped with the fireplace loose and must be installed as shown below.



NG Minimum Vent (66" Framing Height)



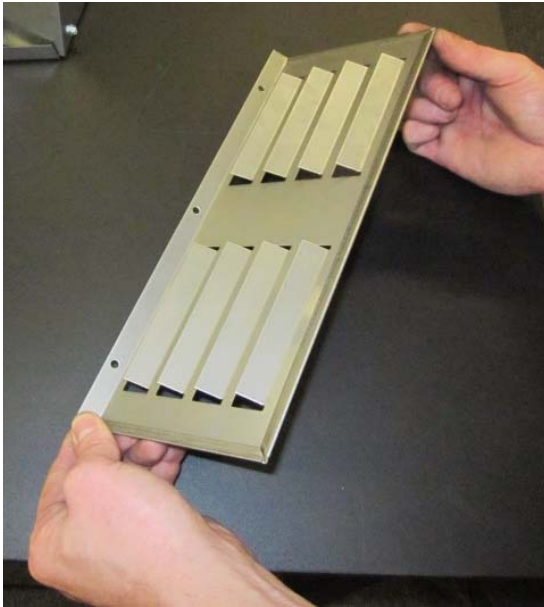
LP Minimum Vent (72" Framing Height)



Horizontal Termination Exhaust Shield

The horizontal termination exhaust shield is required when terminating horizontally. The shield is shipped with the fireplace loose and is installed as shown below.

(a) Place the shield on top of the horizontal termination as shown below.



(b) Secure the shield to the horizontal termination using three screws as shown below.



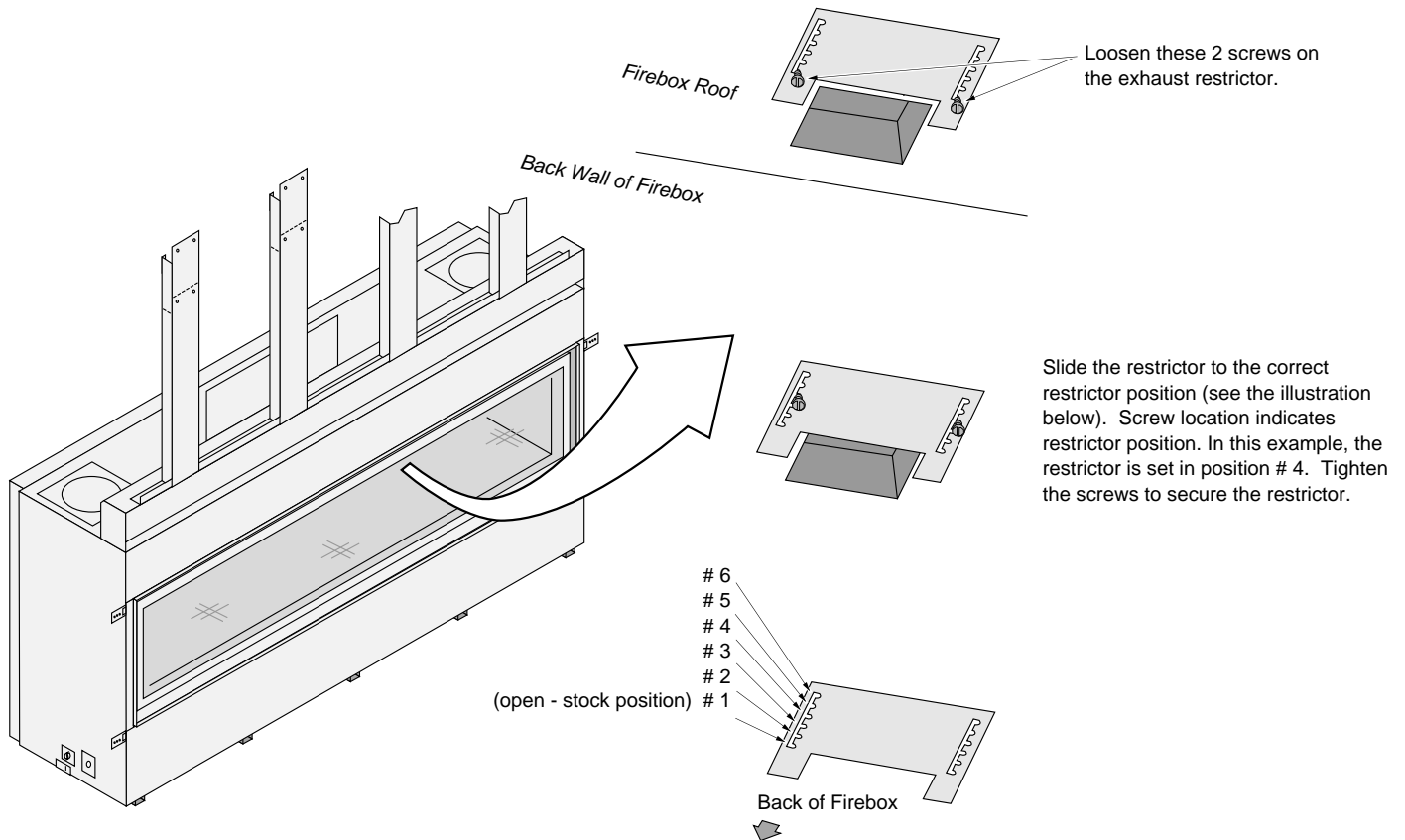
Approved Vent Configurations

Restrictor Position

- Intake and exhaust restrictors are built into the appliance to adjust the flow rate of intake air and exhaust gases. Depending upon the vent configuration, you may be required to adjust the restrictor positions. The charts for vent configurations detail the correct vent restrictor positions.

Exhaust Restrictor

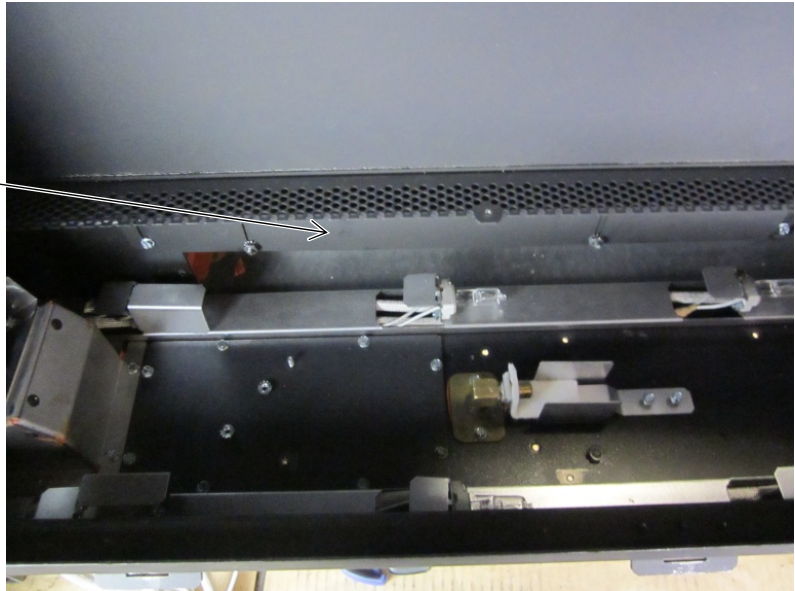
NOTE: Certain vent configurations call for exhaust restrictor removal (position # 0). If this is the case, remove the exhaust restrictor and replace the attachment screws in the firebox ceiling.



Intake Restrictor

The intake restrictor is accessed by removing the burner (see LP Conversion Instructions on page 50 for details). The intake restrictor is shipped in the open position (position # 1). Follow the directions below to change the intake restrictor to position # 2 or # 3.

The intake restrictor is located behind the burner, on the rear wall of the firebox.



Position # 1 (stock - open)



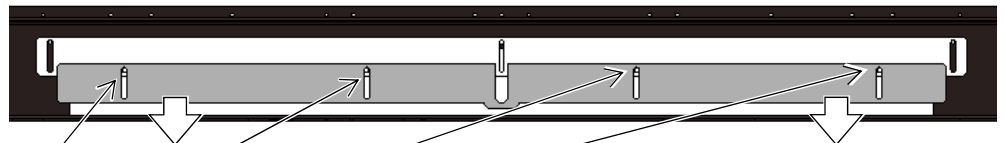
Position # 2

Loosen the three screws shown to the right (1/4" nutdriver). Then slide the restrictor down and re-tighten the screws.



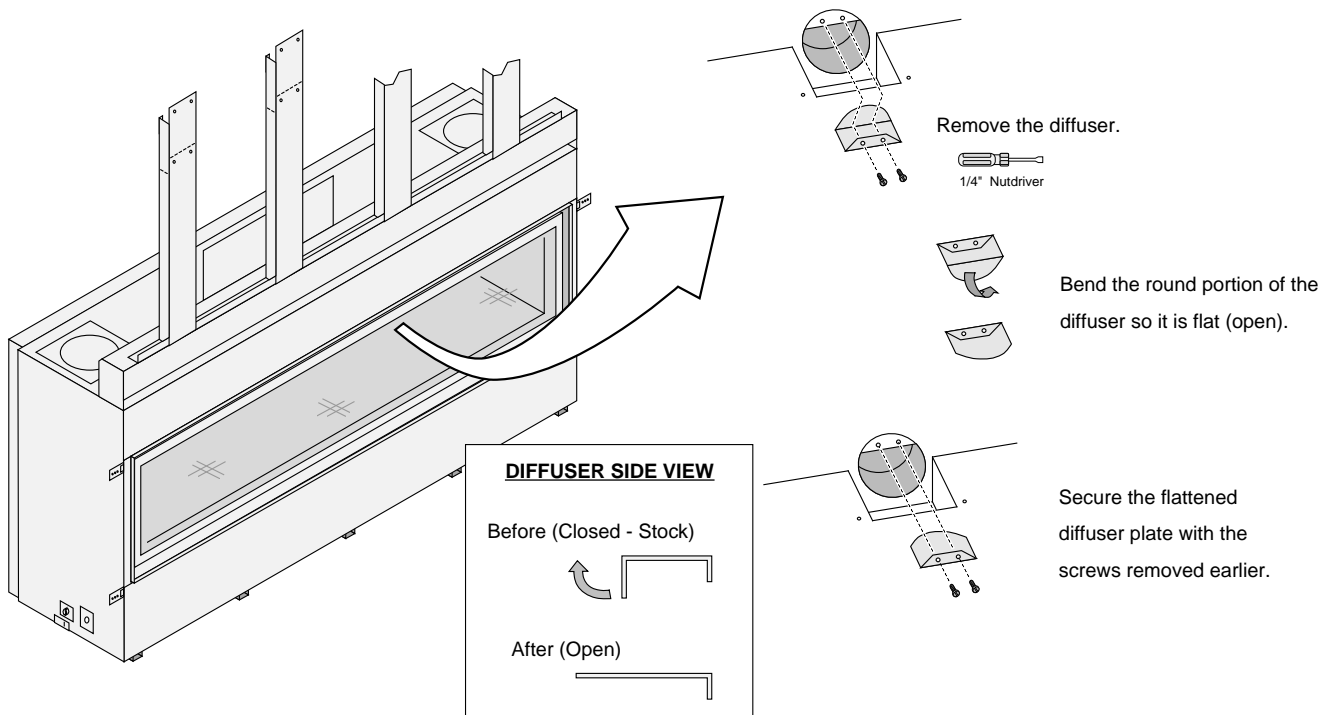
Position # 3

Follow the directions above for position # 2. Then loosen the four nuts shown to the right (11/32" nutdriver). Then slide the restrictor extension down and re-tighten the nuts.



Diffuser

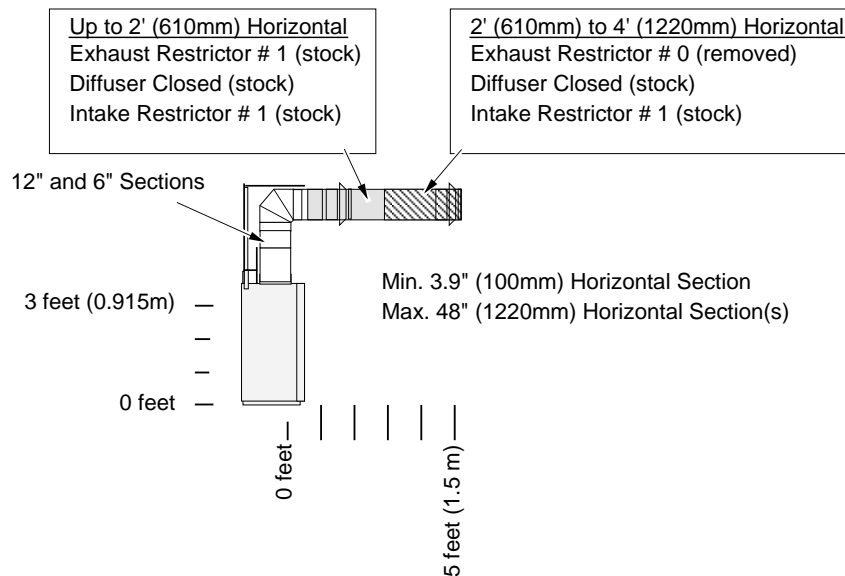
The diffuser is located inside the inner flue assembly (accessed by removing the exhaust restrictor).



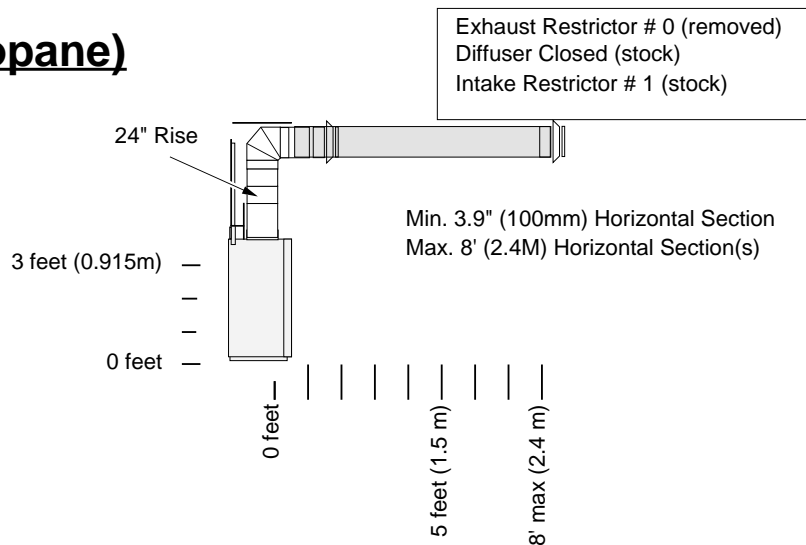
Minimum Vent Configuration

- **Use 5x8" Diameter Coaxial Vent**
- **NOTE:** Use the included minimum vent pipe shield and both 8" firestops (use on front and back of wall penetration). See page 23 for pipe shield installation.
- **NOTE:** Install the horizontal termination exhaust shield on the termination (see page 24).
- The termination must fall within the shaded area shown in the chart. Use the indicated restrictor positions.
- One 45° elbow may be used on the horizontal run.
- **HINT:** Use minimum vent kit "H" (96200332) from Travis Ind. (additional vent may be required).

NG (Natural Gas)

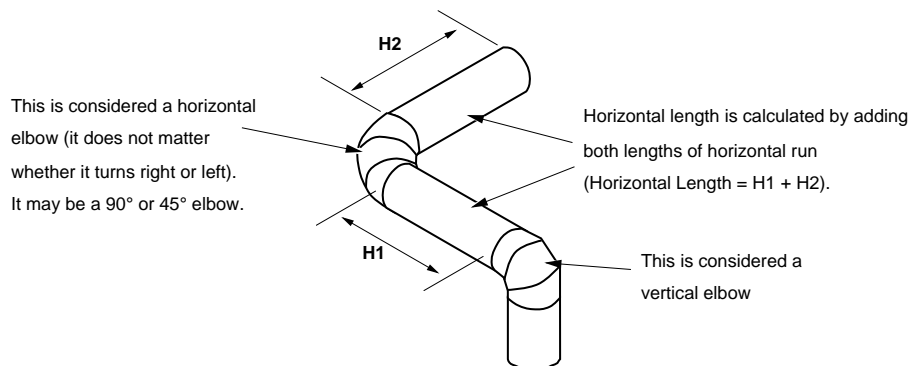
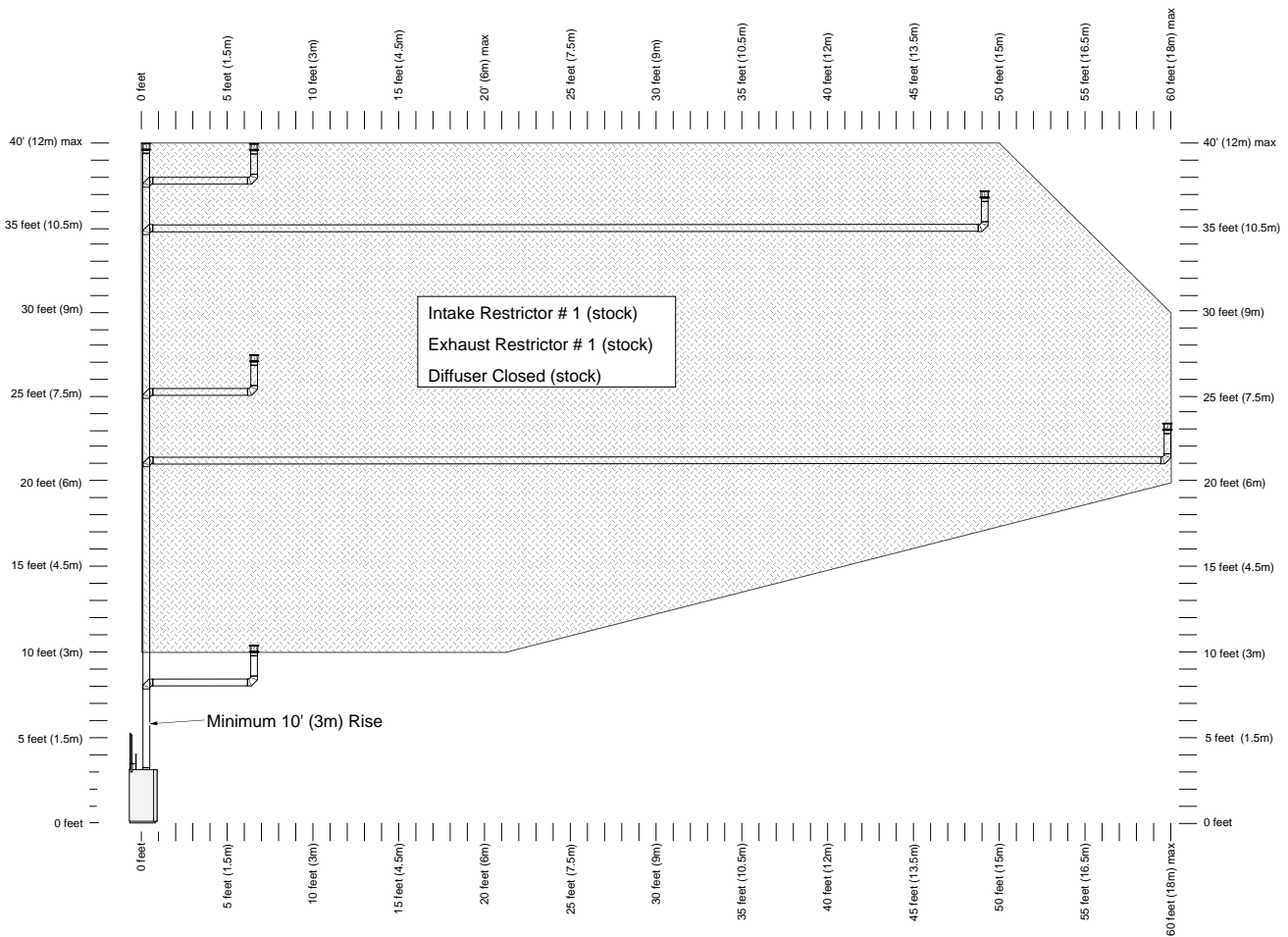


LP (Propane)



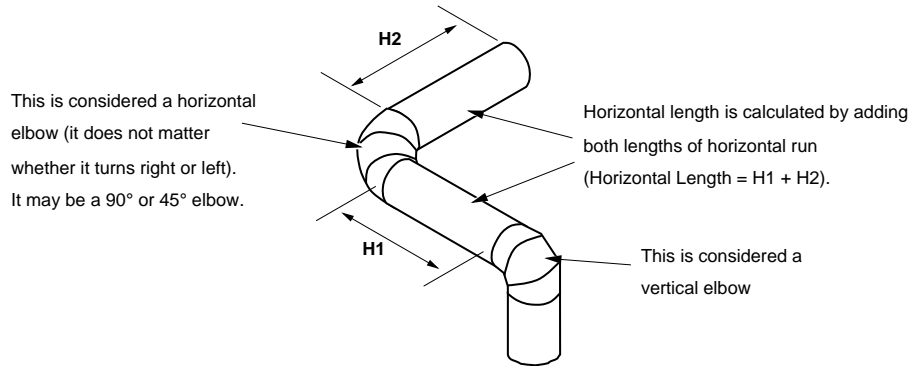
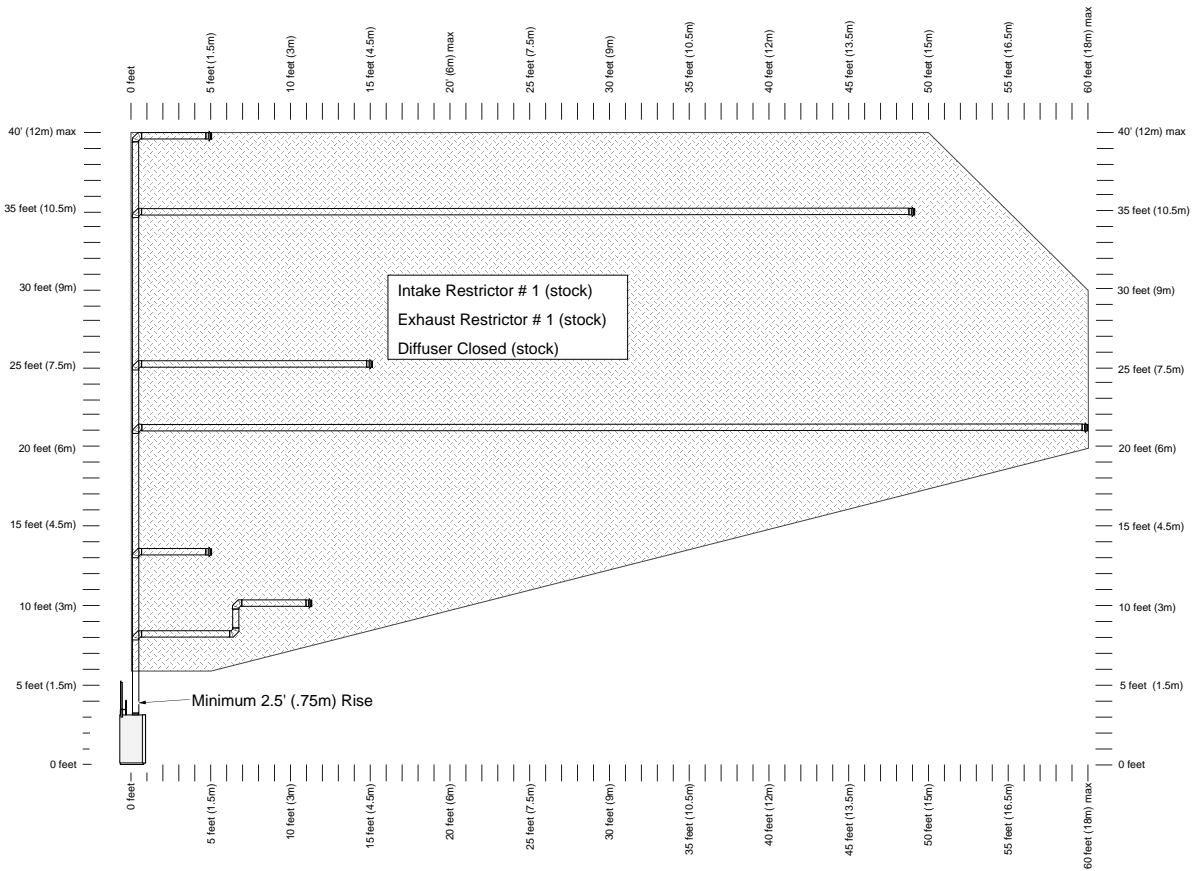
NG Vent Configurations – Vertical Termination

- **Use 5x8” Diameter Coaxial Vent.**
- **NOTE:** The following included items are not required and may be discarded:
 - Vent pipe shield
 - Horizontal termination exhaust shield
 - Firestops
- The termination must fall within the shaded area shown in the chart. Use the indicated restrictor positions.
- Up to 3 elbows (45° or 90°) may be used. Only one horizontal elbow may be used.



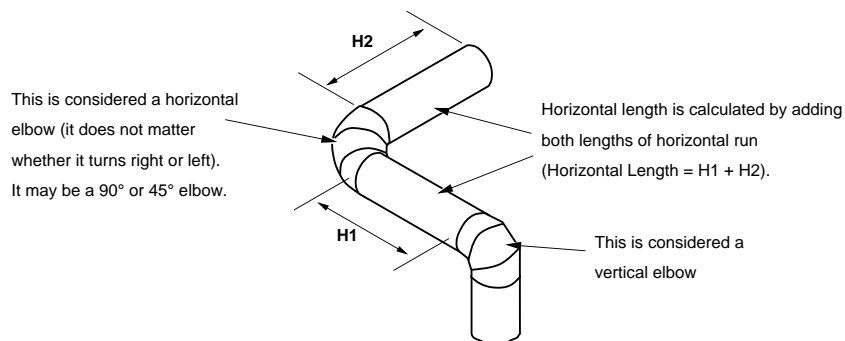
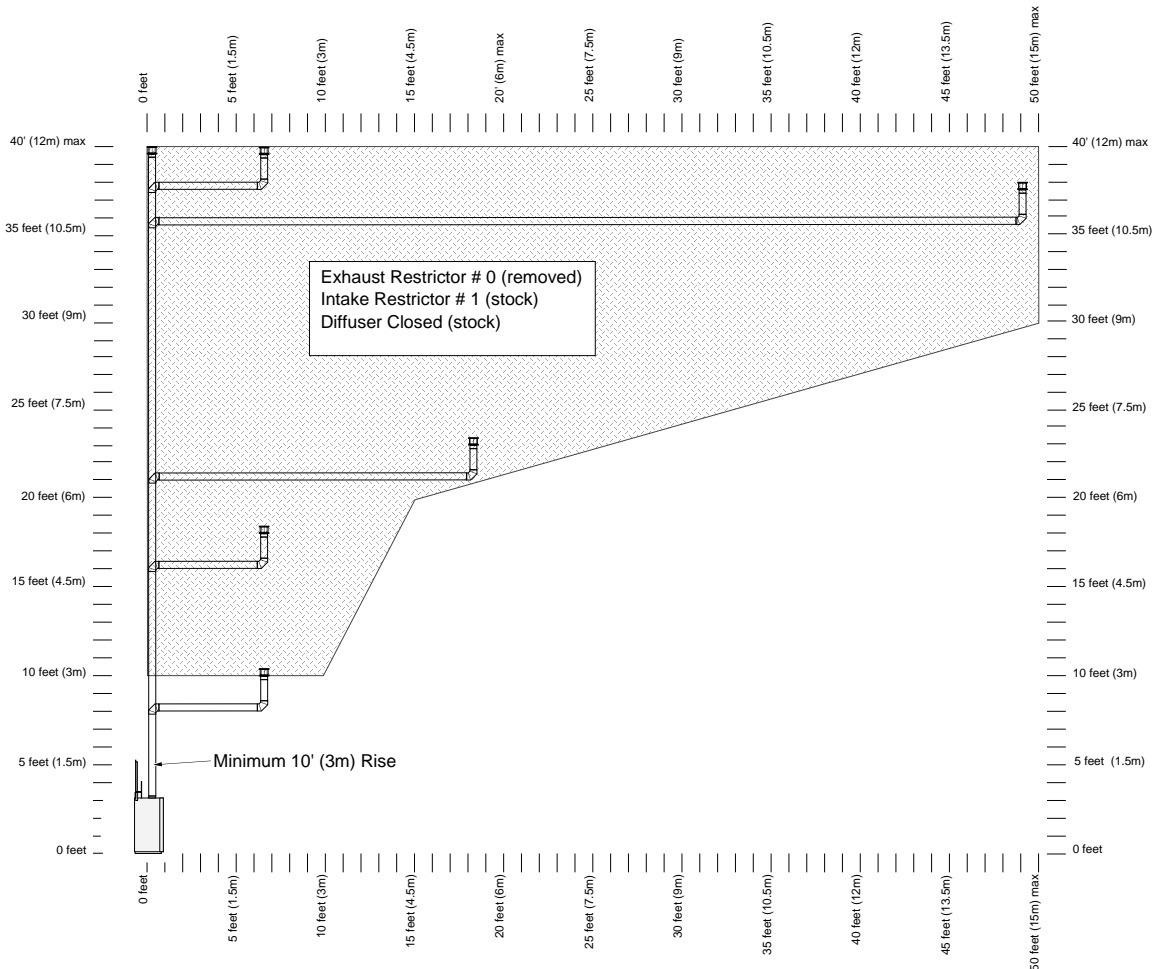
NG Vent Configurations – Horizontal Termination (Min. 30” Rise)

- **Use 5x8” Diameter Coaxial Vent.**
- **NOTE:** The following included items are not required and may be discarded:
 - Vent pipe shield
 - Firestops
- **NOTE:** Install the horizontal termination exhaust shield on the termination (see page 24).
- The termination must fall within the shaded area shown in the chart. Use the indicated restrictor positions.
- Up to 3 elbows (45° or 90°) may be used. Only one horizontal elbow may be used.



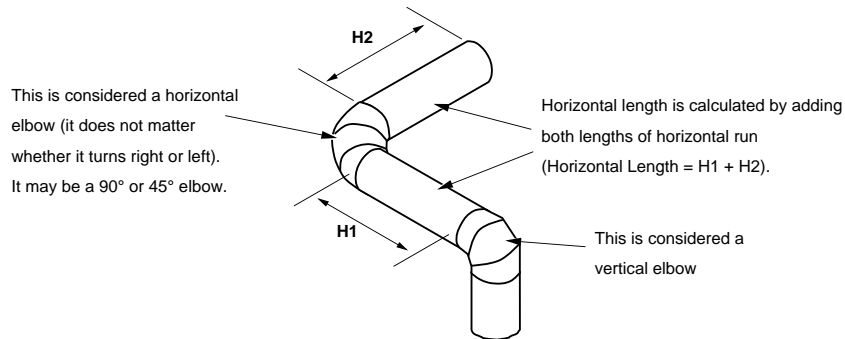
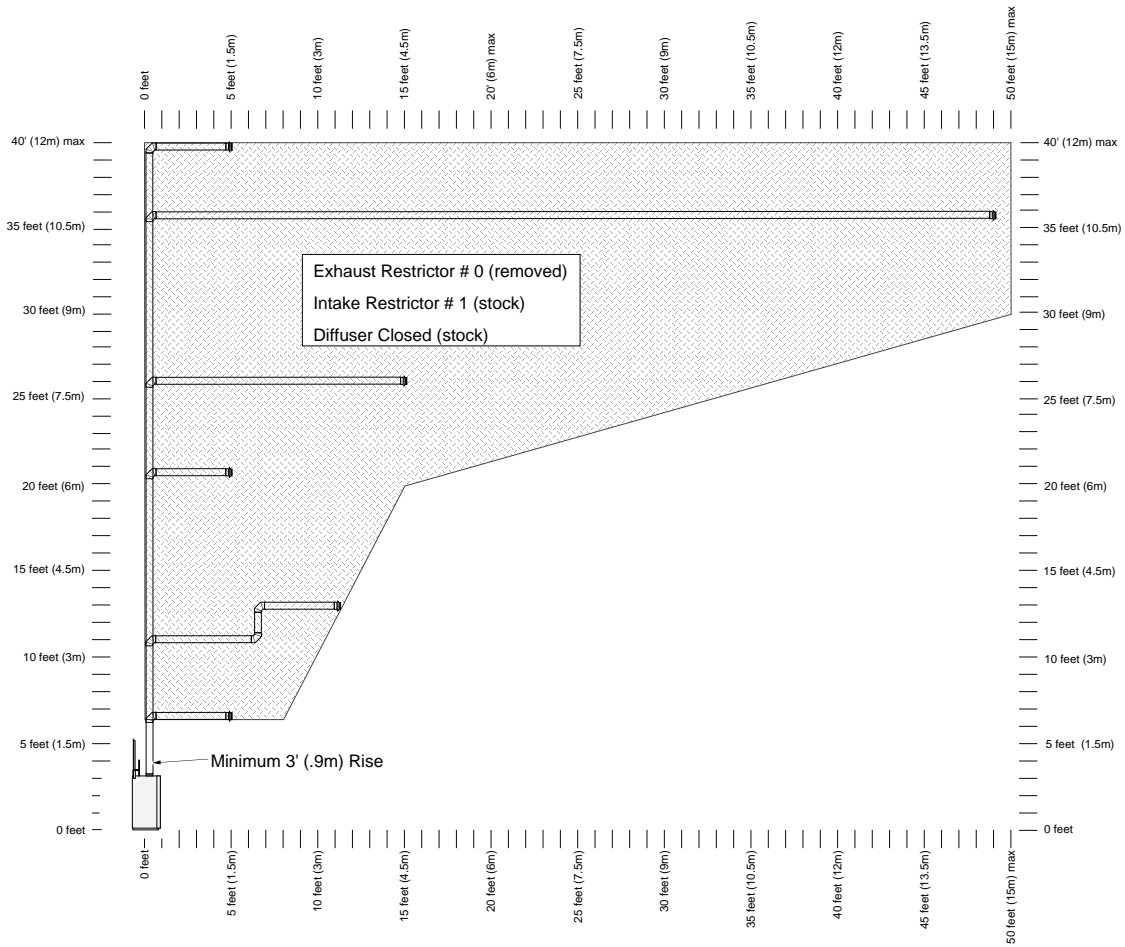
LP Vent Configurations – Vertical Termination

- **Use 5x8” Diameter Coaxial Vent.**
- **NOTE:** The following included items are not required and may be discarded:
 - Vent pipe shield
 - Horizontal termination exhaust shield
 - Firestops
- The termination must fall within the shaded area shown in the chart. Use the indicated restrictor positions.
- Up to 3 elbows (45° or 90°) may be used. Only one horizontal elbow may be used.



LP Vent Configurations – Horizontal Termination (Min. 36” Rise)

- **Use 5x8” Diameter Coaxial Vent.**
- **NOTE:** The following included items are not required and may be discarded:
 - Vent pipe shield
 - Firestops
- **NOTE:** Install the horizontal termination exhaust shield on the termination (see page 24).
- The termination must fall within the shaded area shown in the chart. Use the indicated restrictor positions.
- Up to 3 elbows (45° or 90°) may be used. Only one horizontal elbow may be used.

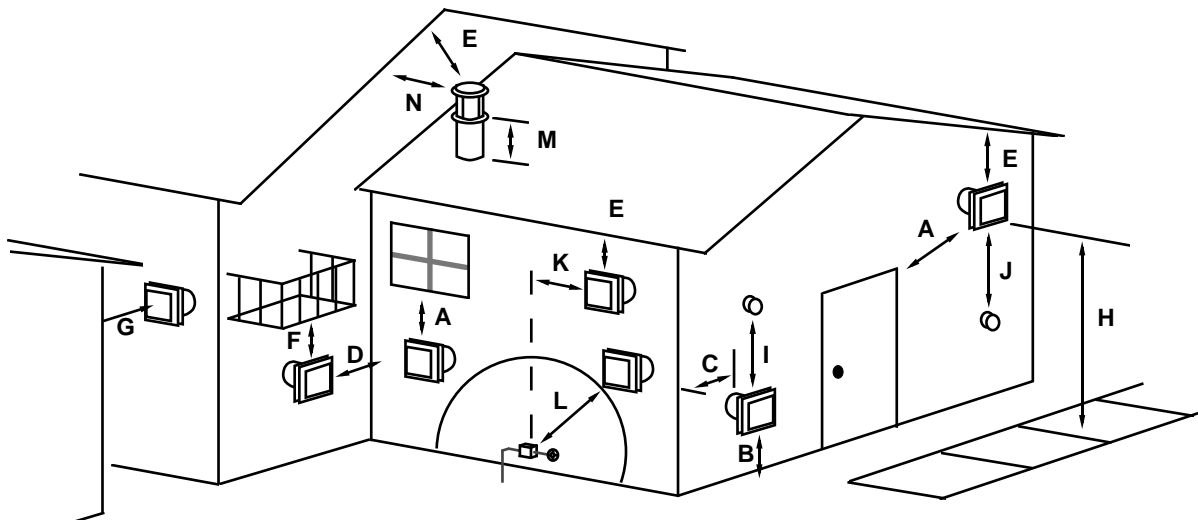
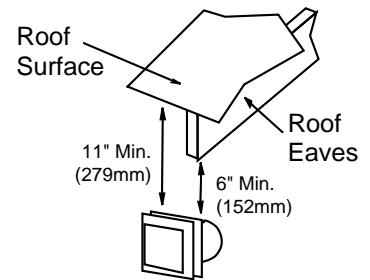


Termination Requirements

Vent Terminations Must Comply with AS/NZS 5601.1

! Venting terminals shall not be recessed into a wall or siding.

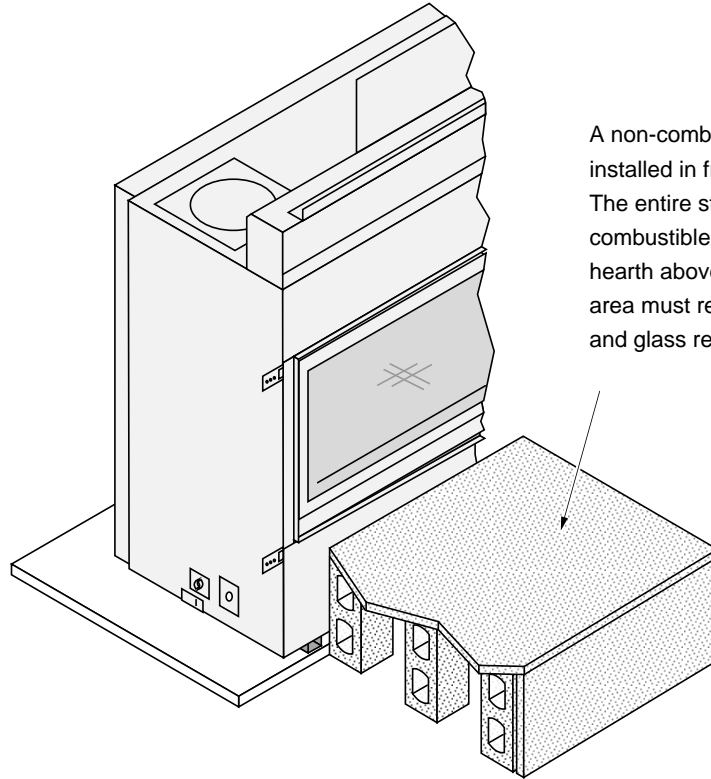
- A Minimum 9" (229mm) clearance from any door or window
- B Minimum 12" (305mm) above any grade, veranda, porch, deck or balcony
- C Minimum 1" (25mm) from outside corner walls
NOTE: Clearance in accordance with local installation codes and the requirements of the gas supplier.
- D Minimum 1" (25mm) from inside corner walls
NOTE: Clearance in accordance with local installation codes and the requirements of the gas supplier.
- E Minimum 11" (279mm) clearance below unventilated soffits or roof surfaces
Minimum 18" (457mm) clearance below ventilated soffits
Minimum 6" (152mm) clearance below roof eaves
NOTE: Vinyl surfaces require 24" (610mm)
NOTE: Clearance in accordance with local installation codes and the requirements of the gas supplier.
- F Minimum 12" (305mm) clearance below a veranda, porch, deck or balcony
NOTE: Permitted only if veranda, porch, deck, or balcony is fully open on a minimum of two sides beneath the floor.
NOTE: Clearance in accordance with local installation codes and the requirements of the gas supplier.
- G Minimum 48" (1219mm) clearance from any adjacent building
- H Minimum 84" (2134mm) clearance above any grade when adjacent to public walkways or driveways
NOTE: may not be used over a walkway or driveway shared by an adjacent building
- I Minimum 9" (229mm) clearance to any nonmechanical air supply inlet to the building or the combustion air inlet to any other appliance.
- J Minimum 36" (914mm) clearance above any mechanical air supply inlet if within 10' (3M) horizontally
- K Minimum 36" (914mm) from the area above the meter/regulator (vent outlet) - this extends 15' (4.5M) above the regulator
NOTE: Clearance in accordance with local installation codes and the requirements of the gas supplier.
- L Minimum 36" (914mm) from the meter/regulator (vent outlet)
NOTE: Clearance in accordance with local installation codes and the requirements of the gas supplier.
- M Minimum 12" (305mm) above the roof line (for vertical terminations)
- N Minimum 24" (610mm) horizontal clearance to any surface (such as an exterior wall) – for vertical terminations



NOTE: Measure clearances to the nearest edge of the exhaust hood.

Hearth Requirements

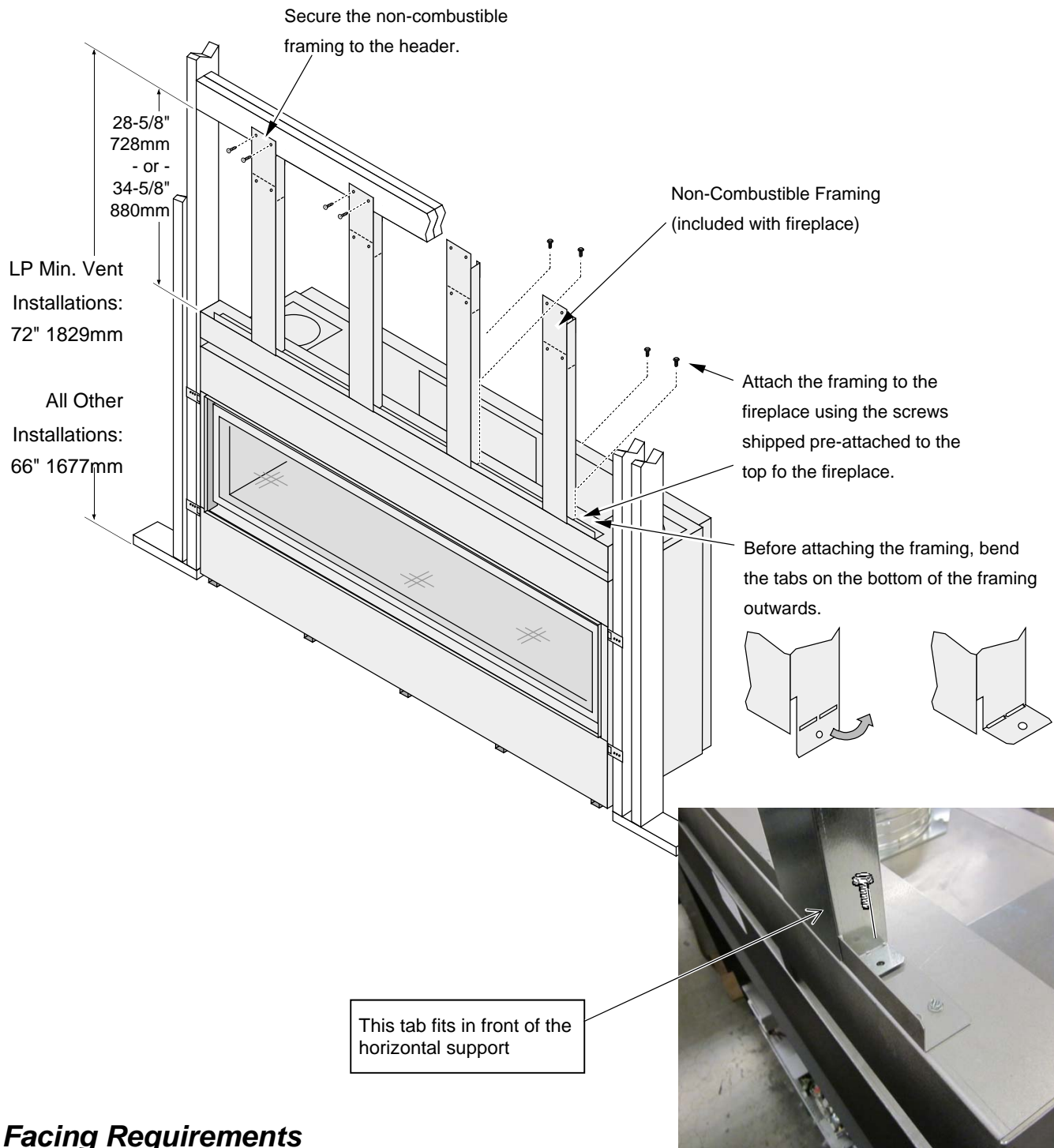
- If installed near carpet or other combustible flooring, the fireplace must be raised so the base of the unit is above the carpet surface or flooring material. If the heater is installed at floor level, we recommend a non-combustible hearth to protect the flooring surface from discoloration or other negative impact from the heater.
- A non-combustible hearth may be constructed in front of the fireplace (see illustration below).



A non-combustible hearth may be installed in front of the fireplace. The entire structure must be non-combustible. Do not build the hearth above the glass opening (this area must remain open for screen and glass removal).

Non-Combustible Framing (included)

- The fireplace includes non-combustible framing members. Attach them to the fireplace and framing following the directions below.
 - Remove the screws on top of the fireplace used to secure the framing members (see illustration below).
 - Place the framing members in place and secure using the screws removed in step 1.
 - Secure the framing to the header



Facing Requirements

- Non-combustible facing must extend from the base of the fireplace to the top of the horizontal support (37-3/8" above the base). See illustration below for details.

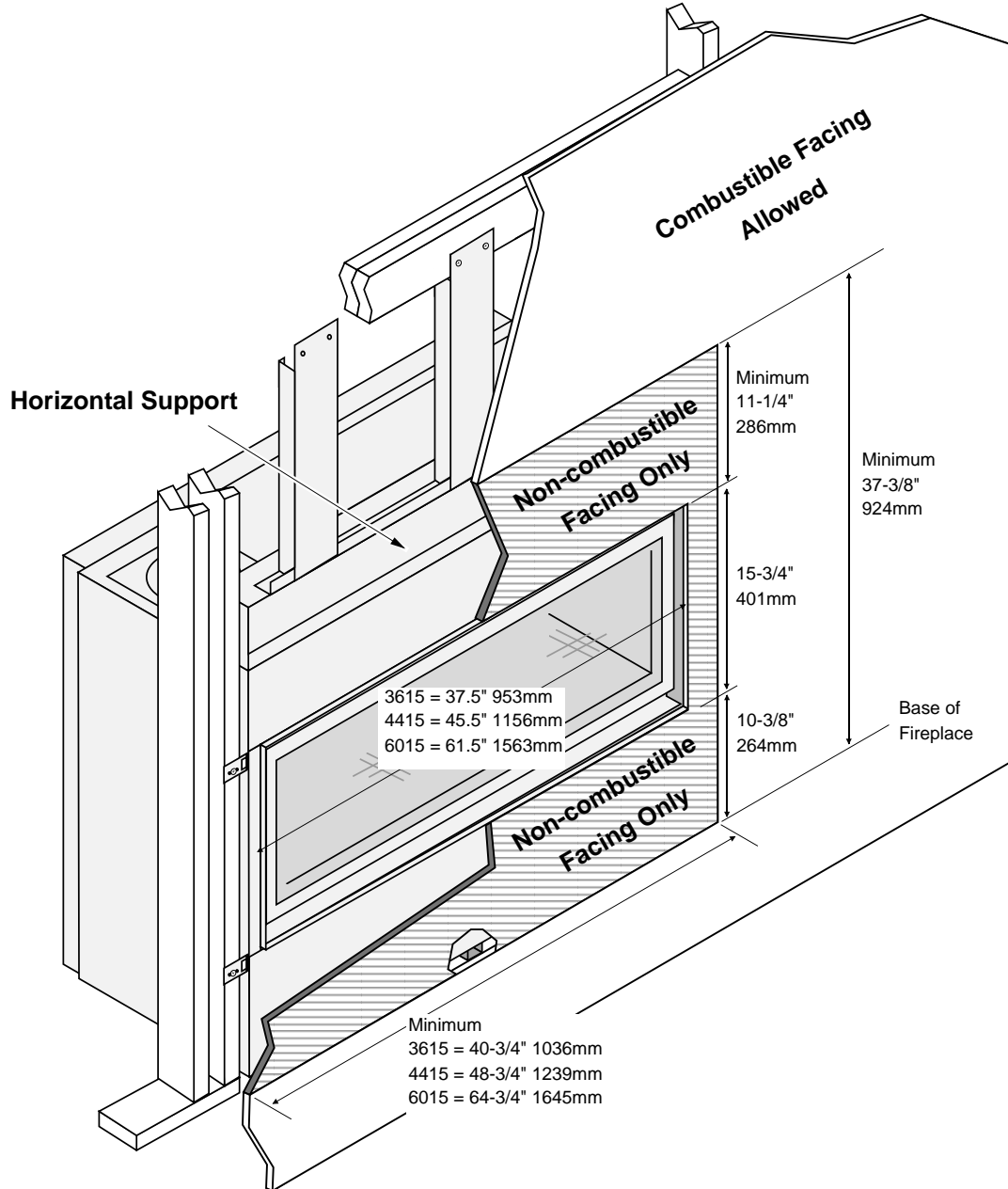
- Non-combustible facing must extend the entire width of the unit to the framing opening on both sides.
- Do not place facing over the glass opening.
- Drywall (or other combustible) may be placed above the horizontal support (37-3/8" above the base of the fireplace) and to the sides of the framing opening.

WARNING: Do not place drywall or other combustibles over the front of the fireplace.



WARNING: Do not use adhesive to secure the facing. The high temperatures of the fireplace may cause adhesives to emit odors. Use mastic or thin set (or other non-combustible, non-odorous adherent) to attach the facing.

NOTE: Screws may be used to secure cement board or tile backer to the fireplace. Do not penetrate the fireplace more than 1/2" (13mm).

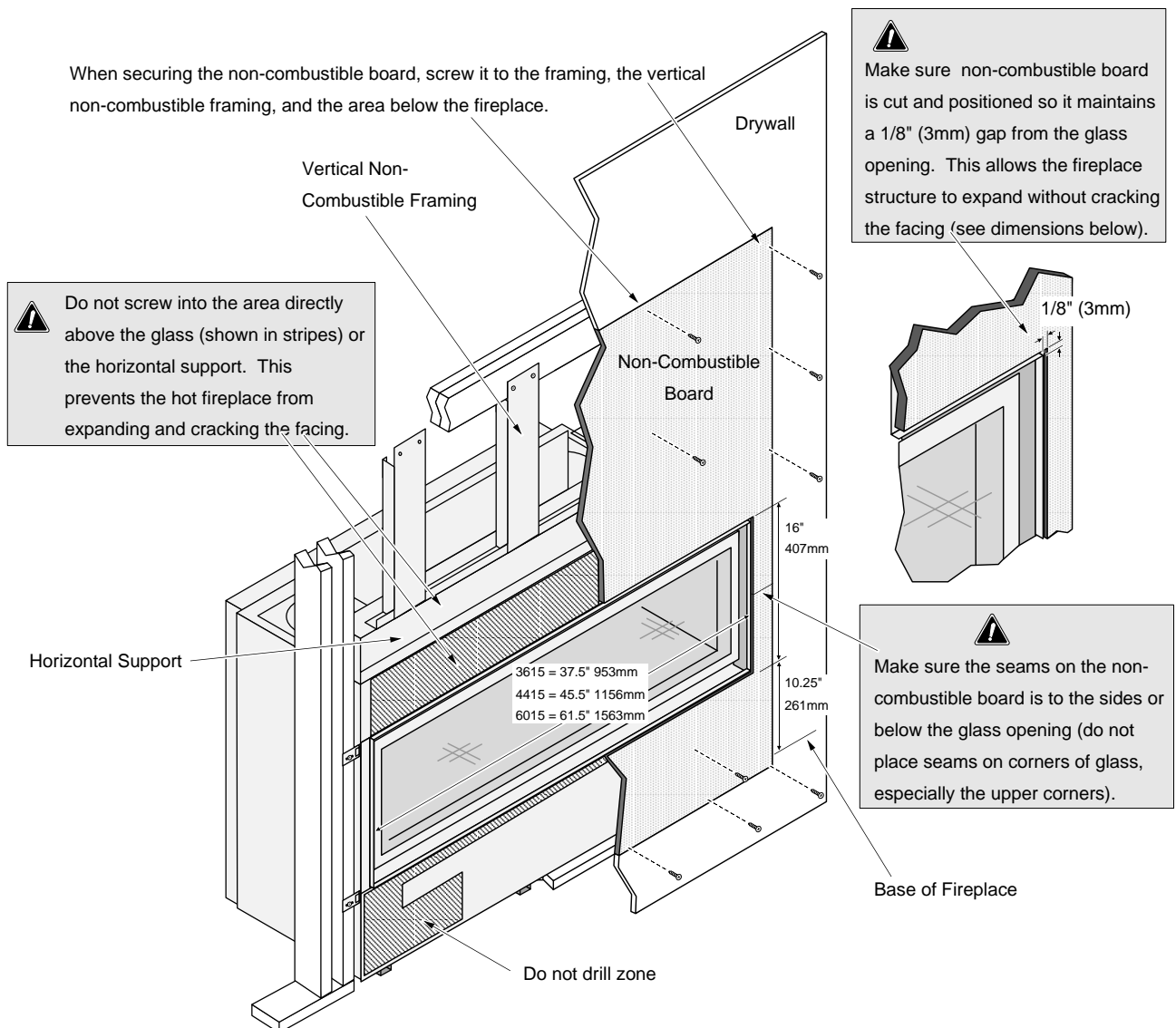


Facing Example – Flush Install

- We recommend a non-combustible board (such as 9mm or 12mm Fiber Cement Sheeting) be placed over the front of the fireplace around the perimeter of the glass opening (do not place over the ledge to the glass opening).
- We recommend the non-combustible facing extend to the header above the non-combustible framing and to the framing on both sides of the fireplace. The facing should have the seam to the side of the glass opening (see illustration below). See the illustration below for other recommendations.

NOTE: Most non-combustible board will require a skim coat to achieve a smooth finish prior to painting

HINT: We recommend the use of a trim kit when making a flush install. This helps conceal the area between the non-combustible board and the glass opening.



NOTE: The non-combustible board must be a minimum of 9mm thick and comply with AS1530-1. The thicker the non-combustible board, the stronger the finish will be. Therefore, boards 12-13mm thick are also strongly recommended. Thinner materials may crack as a result due to the high operating temperatures of this fireplace. No liability will be taken by Travis Industries or Dragon Wholesaling Pty Ltd for cracking or discoloration of the wall.

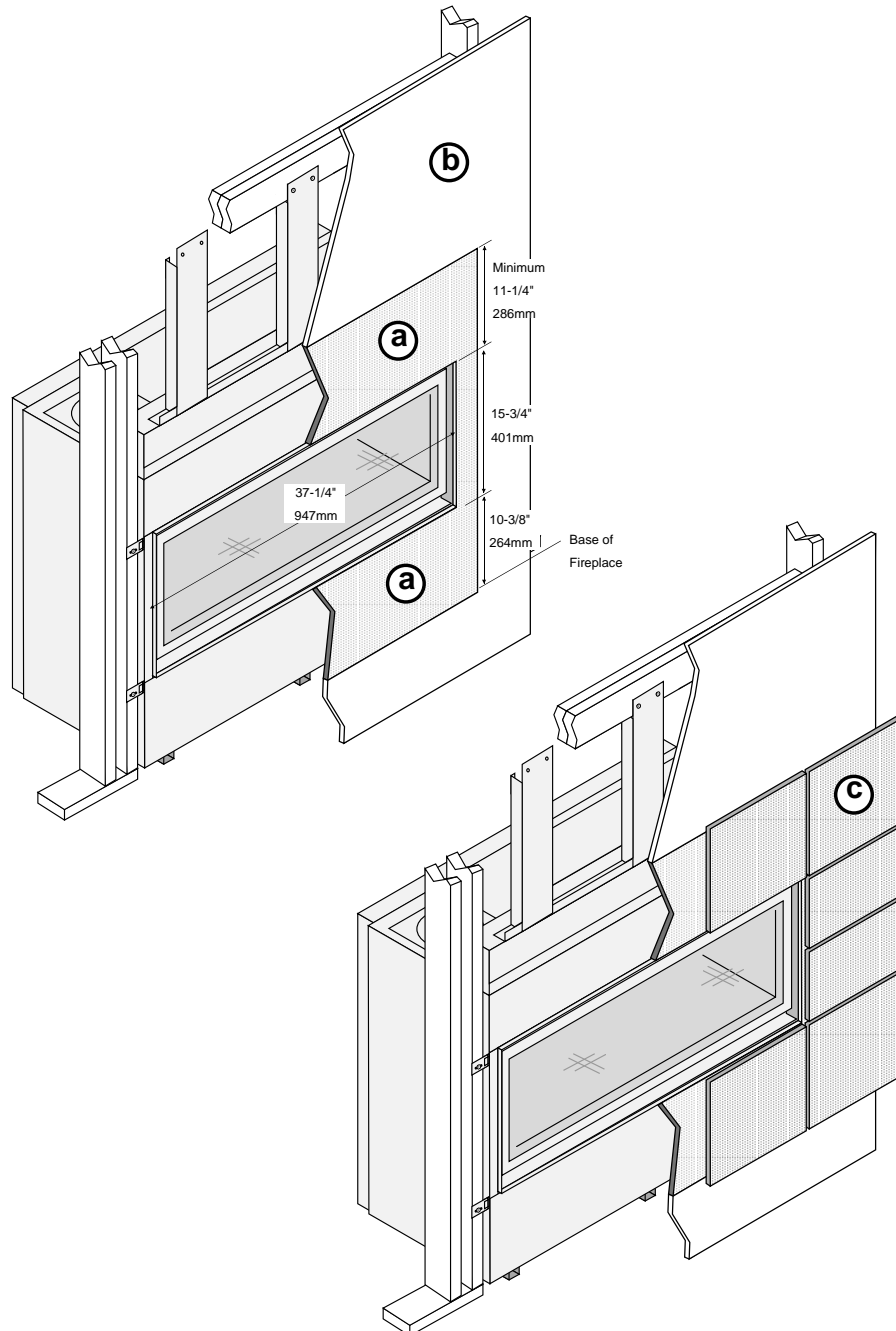
Close attention to detail following the finishing requirements and using only the highest quality materials is required.

Facing Example – Tile-Over Install

- Install cement board (or other non-combustible) from the base of the fireplace to the top of the horizontal support (37-3/8" above the base) and to the framing opening on both sides (see "a" below).
- Drywall (or other combustible) may be placed above the horizontal support (37-3/8" above the base of the fireplace - see "b" below) and to the sides of the framing opening (see "b" below).
- Tile or other non-combustible facing may be placed along the front of the fireplace around the perimeter of the glass opening (see "c" below). Typical installations use 12" (305mm) or greater of non-combustible facing around the perimeter of the glass opening. Do not install facing over the ledge to the glass opening.

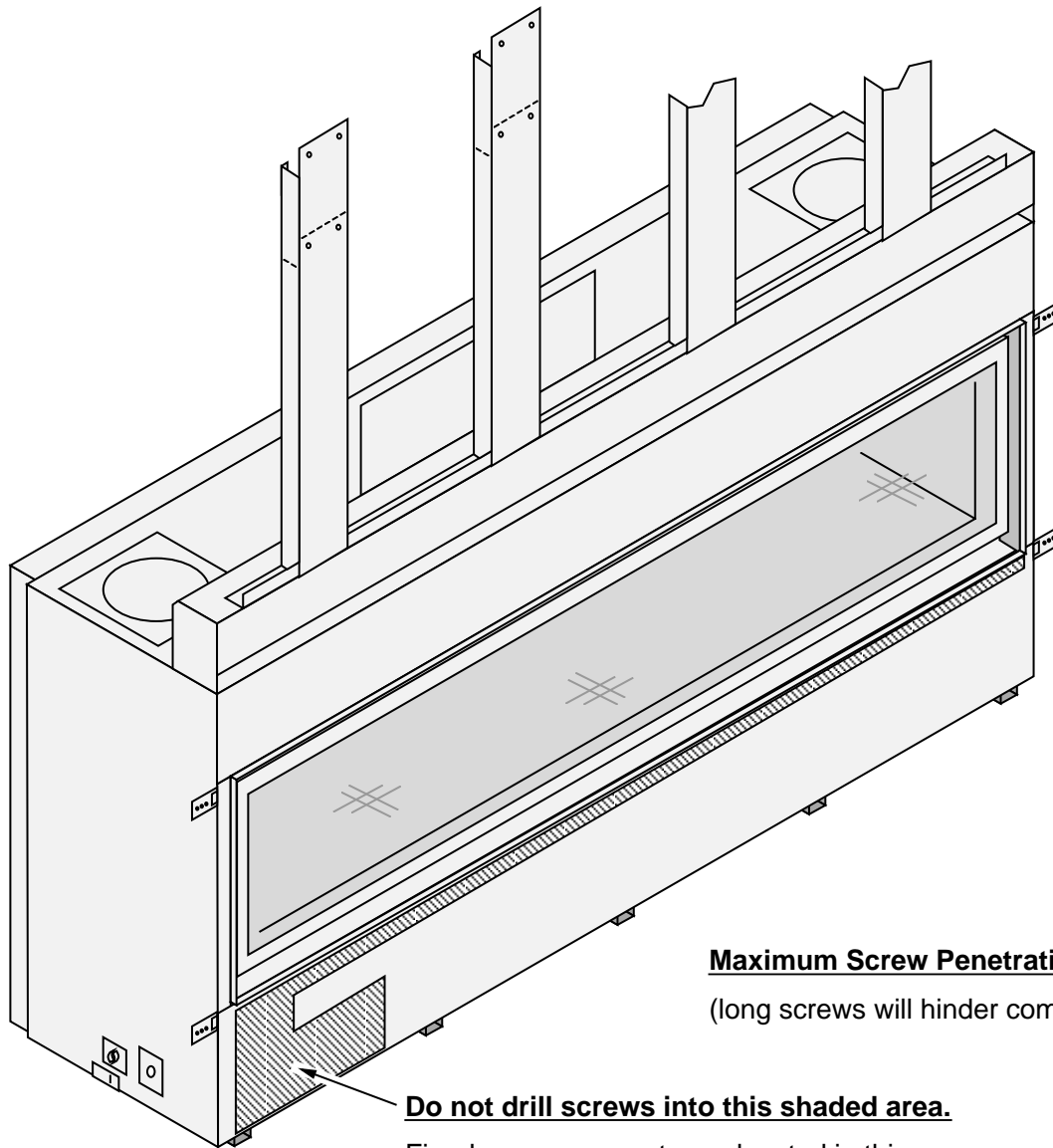
HINT: We recommend the use of a trim kit for a tile over installation. The trim helps conceal the area between the non-combustible facing and the glass opening.

WARNING: Do not place drywall or other combustibles over the front of the fireplace.



Do Not Drill or Screw Zone

When using screws to secure tile-board or other non-combustible to the front of the fireplace, make sure to avoid the area shown below. Make sure screws penetrate no more than 1/2" (13mm) into the fireplace.



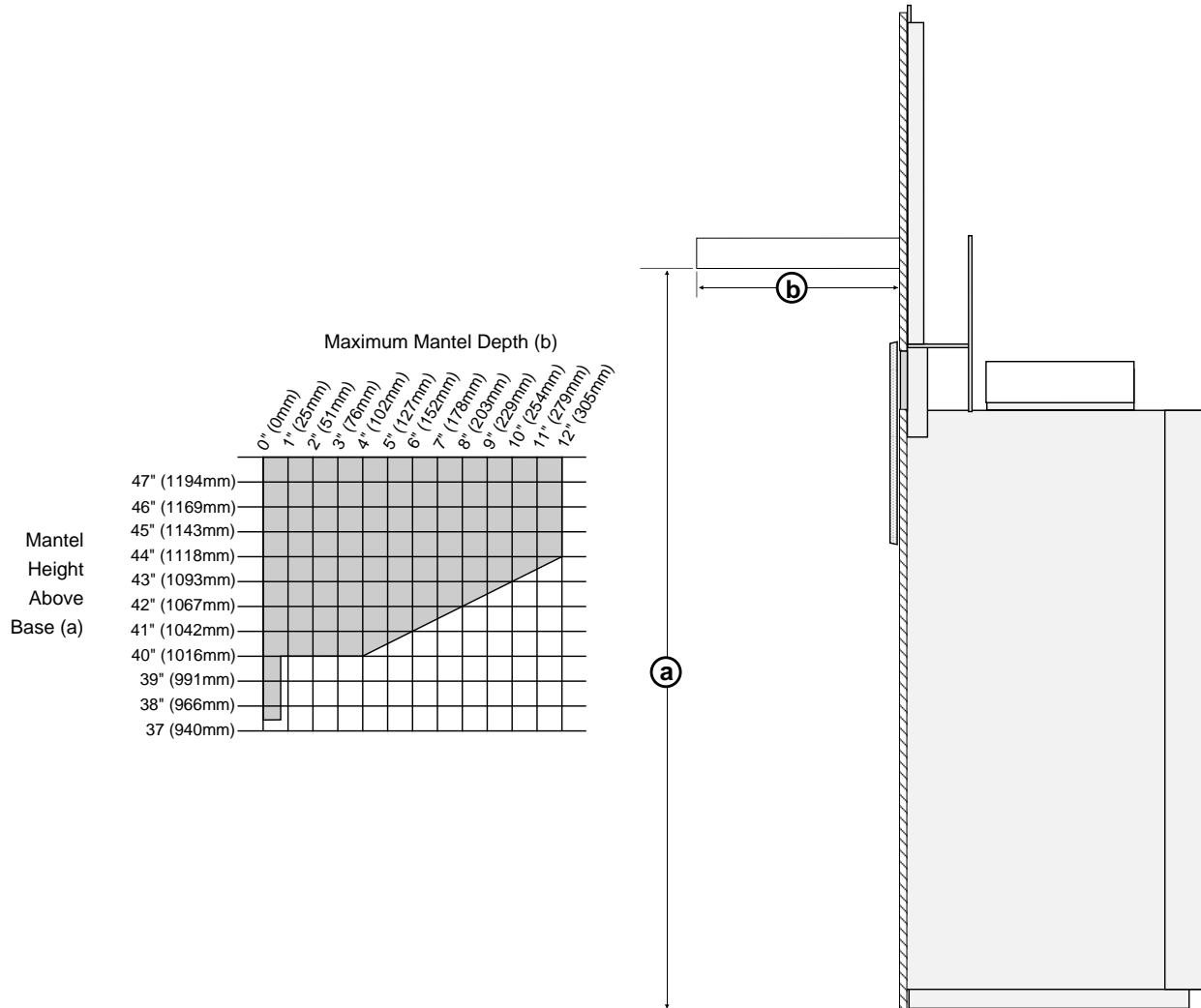
Maximum Screw Penetration = 1/2"
(long screws will hinder component access)

Do not drill screws into this shaded area.
Fireplace components are located in this area.

Mantel Requirements

If installing a TV above a mantel, see the section “

- Televisions Placed Above the Fireplace” on page 9.
- Use the table below to determine the maximum mantel depth allowed. The mantel depth (measured from the non-combustible facing) must fall within the shaded portion of the table.
- Any material above the fireplace that protrudes more than 3/4” (19mm) from the non-combustible facing is considered a mantel and must meet the mantel requirements.



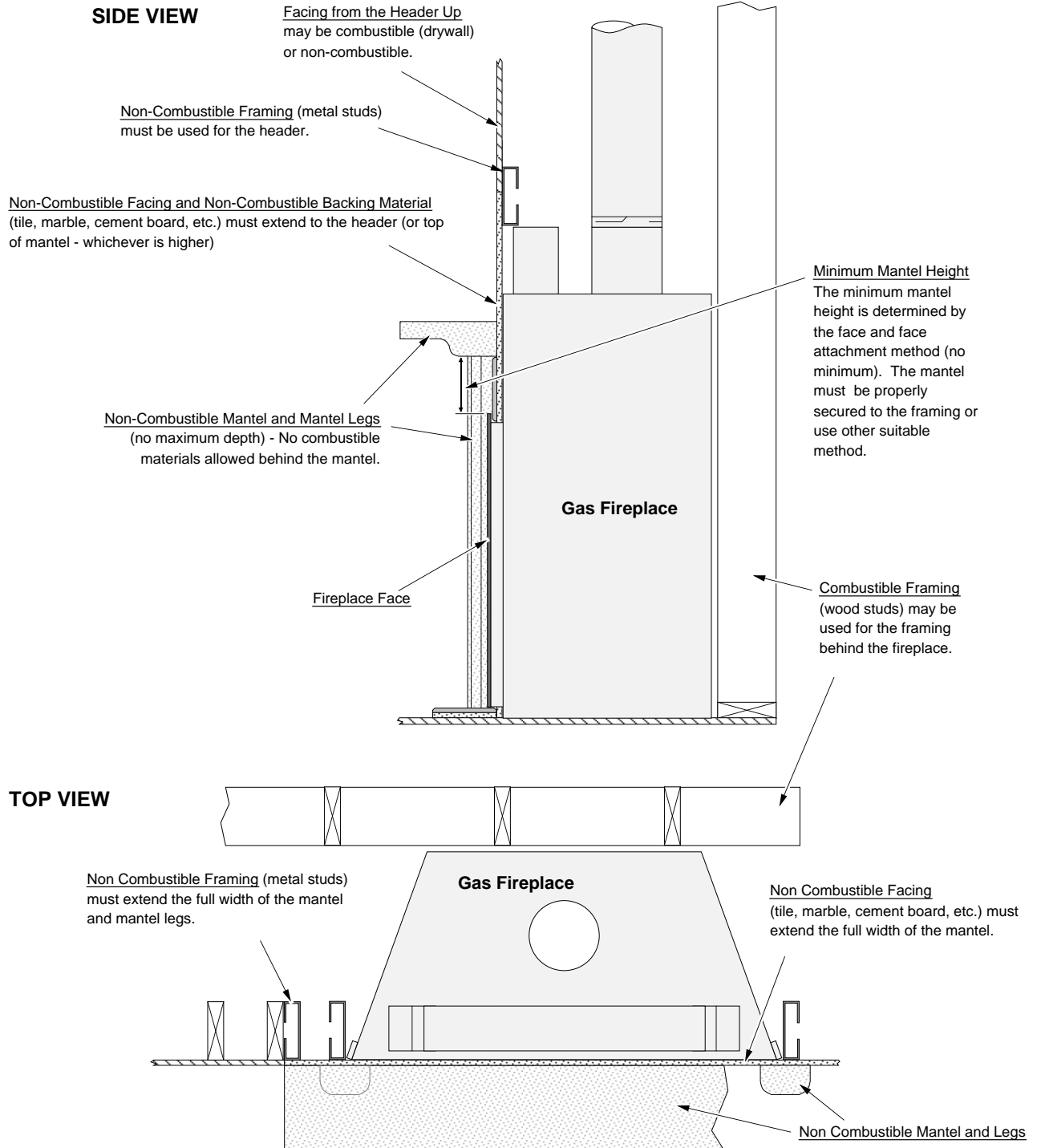
Mantel Column Clearances

- Combustible mantel columns (legs) that protrude more than 3/4” (19mm) from the front of the fireplace require a 3” (77mm) clearance to the side of the fireplace.
- Combustible mantel columns (legs) that protrude 3/4” (19mm) or less from the glass frame must meet the facing clearances (minimum 0” (0mm) from the side of the fireplace).
- Non-combustible mantel columns do not have a minimum clearance.

Use of a Non-Combustible Mantel Below Listed Mantel Clearances

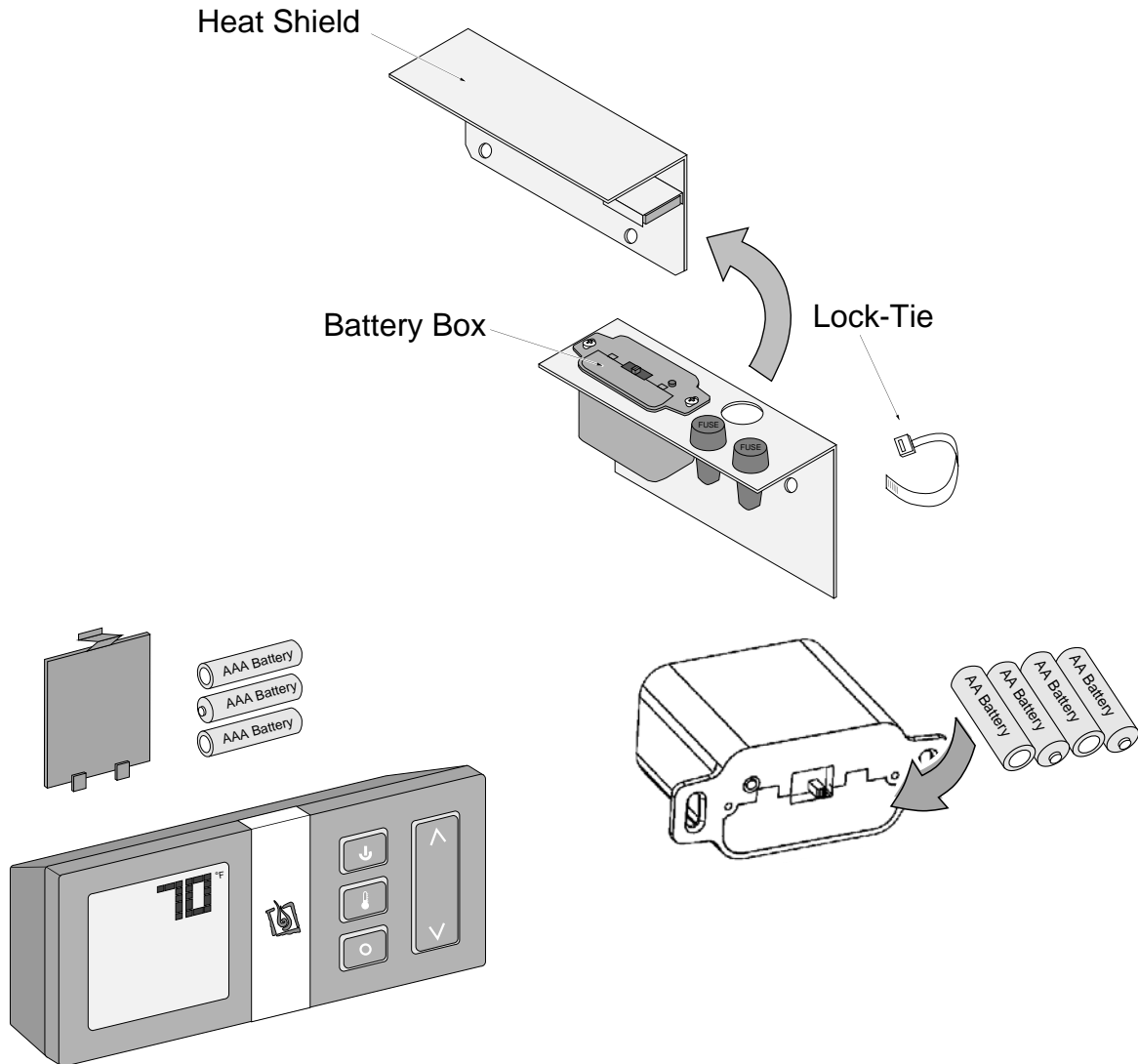
Each gas fireplace has a unique set of mantel requirements. If you wish to place a non-combustible mantel at a lesser height than specified in this manual, it will need to meet the following requirements:

- The header (the framing member above the fireplace opening) must be non-combustible.
- The facing must be non-combustible and extend to the header (or mantel, whichever is greater). The facing must also span the entire width of the mantel.
- See the illustration below for additional requirements.



Steps for Finalizing the Installation

1. Remove the glass frame (see page 45).
NOTE: If using propane (LP) convert the appliance prior to installing the logs.
2. We recommend you purge the gas line at this time (with the glass frame removed). This allows gas to be detected once it enters the firebox, ensuring gas does not build up.
3. Install the required firebacks (see page 47).
4. Remove the heat shield from the battery box (remove and discard the lock-tie – see illustration below). Install the four AA batteries into the battery box (**NOTE:** the heat shield must be in place whenever the fireplace is in operation). The AA batteries act as a power backup in case the household (AC) power goes out and are required for operation. Install three AAA batteries into the remote (see illustration below). Synchronize the transmitter to the IFC (see the owner's manual).



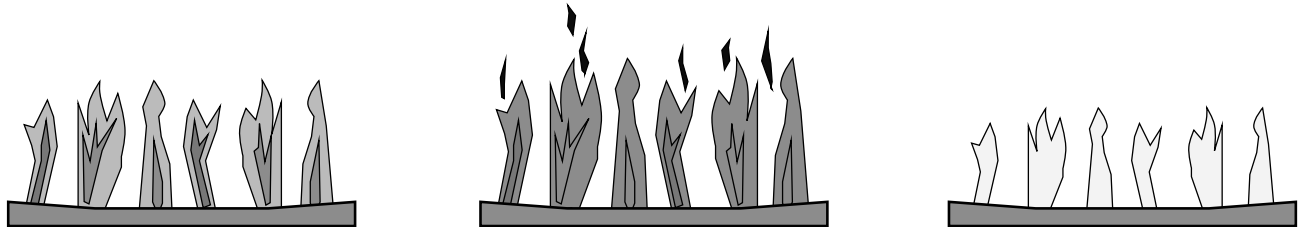
5. Make sure the accent light bulbs are in place and work correctly.
NOTE: Take care to not touch the bulb with your fingers (use a cloth or paper towel).
6. Install the crushed glass (see page 49).
7. Replace the glass frame.

8. Start the heater.
9. Leak test all gas joints.
10. Check the air shutter following the directions below.

Air Shutter Adjustment

Let the heater burn for fifteen minutes (make sure the logs and glass are in place). The flames should be yellow with no sooting. Adjust the air shutter, if necessary, to achieve the correct looking flame.

Air Shutter Adjustment



Correct

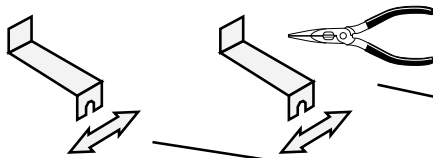
Not Enough Air

Too Much Air

Flames should be blue at the base, yellow-orange on the top.

If the flames are too tall or sooty on the ends, open the air shutter.

If the flames are all blue and short, close the air shutter.

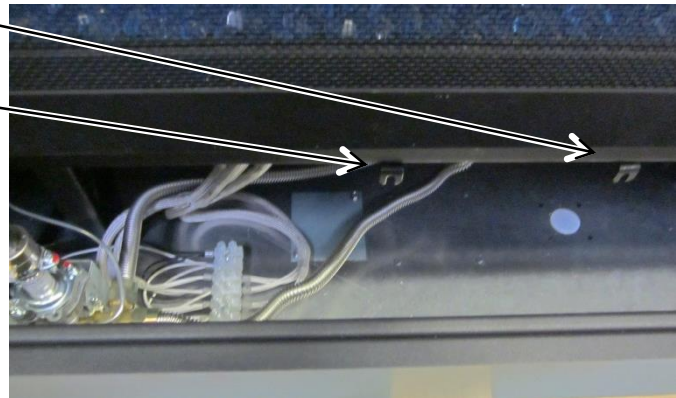


Left Burner Air
Shutter Control

Right Burner Air
Shutter Control

Right = More Air
Left = Less Air

Right = Less Air
Left = More Air



NOTE: Use pliers to adjust the air shutter (it will be hot). Typically, the air shutter is more closed on NG, more open on LP.

11. Adjust the flame to its highest position - the flames should not contact the top of the firebox. Check the flame on low position. The flames should burn off of each burner hole. If the heater does not work correctly, contact your Travis dealer for a remedy.
12. Give this manual to the home owner for future reference and fully explain operation of this heater. For comprehensive operating and maintenance instructions, refer to the Owner's Manual.

ACID WASH WARNING: Make sure any masonry that has been treated with acid wash has been properly neutralized (this is used primarily with brick faces). Acid wash (muriatic acid) is used to remove excess mortar.

Glass Frame Removal and Installation



A barrier designed to reduce the risk of burns from the hot viewing glass is provided with this appliance and shall be installed for the protection of children and other at-risk individuals.



If the barrier becomes damaged, the barrier shall be replaced with the manufacturer's barrier for this appliance.



Do not remove the glass frame with the screen attached – it will not disengage correctly and may damage the screen.



The appliance must be completely cool before removing the glass.



Do not strike or slam the glass.



Warning: Do not operate appliance with the glass front removed, cracked or broken. Replacement of the glass should be done by a licensed or qualified service person.

GLASS FRAME TOOL

The glass frame tool is shipped inside the fireplace, under the concealment cover. The first time it is used you may need to loosen the screw (1/4" wrench). The tool is accessed after removing the screen.



NOTE: Replace the tool in this location after use.

1. Remove the concealment cover and place aside. It has two finger holes that aid in removal.

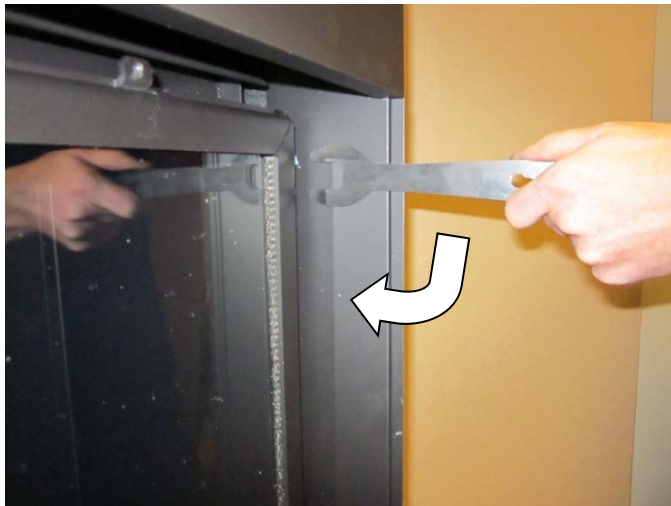


Installation (for qualified installers only)

2. Remove the three screws holding the screen in place (1/4" nutdriver- magnetic driver recommended). Then pivot the screen down slightly until the clips on the bottom disengage from the glass frame.



3. Use the glass tool to unlatch the glass frame. Remove the glass frame. The glass frame is held in place with four tabs inserted into four slots at the bottom of the firebox opening.



Fireback Installation



Fireplace must not be operated without the firebacks in place.

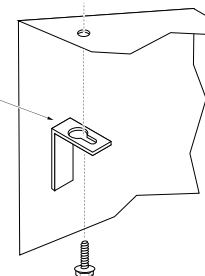


The directions below show installation of metal firebacks. If using ceramic firebacks, follow the directions included with the firebacks (the rear fireback clips are removed and discarded).

- 1 Access the firebox.
- 2 Remove the two rear fireback clips from the firebox ceiling (1/4" nutdriver). The clips are located along the upper rear edge of the firebox.



The fireback clip has a keyhole slot. It can be removed by loosening the screw and sliding the clip out.



- 3 Install the rear fireback. Hold the fireback at an angle while installing to allow it to pass through the firebox opening.

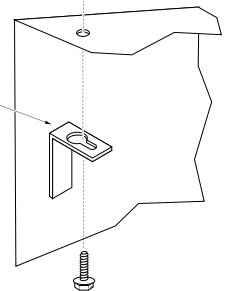


- 4 Replace the rear fireback clips to secure the rear fireback in place.

- 5 Remove the two side fireback clips from the firebox ceiling (1/4" nutdriver). They are located at the outward edges of the firebox near the glass opening.



The side fireback clip has a keyhole slot. It can be removed by loosening the screw and sliding the clip out.



- 6 Install the right side fireback. Place the fireback in position and replace the fireback clip to secure the right fireback in place.



- 7 Install the left fireback (see step # 6).

Crushed Glass Installation



Do not allow the crushed glass to block the air slots or to become too thick (maximum 1 layer deep on the burner). Failure to properly install glass may lead to sooting and improper burning.

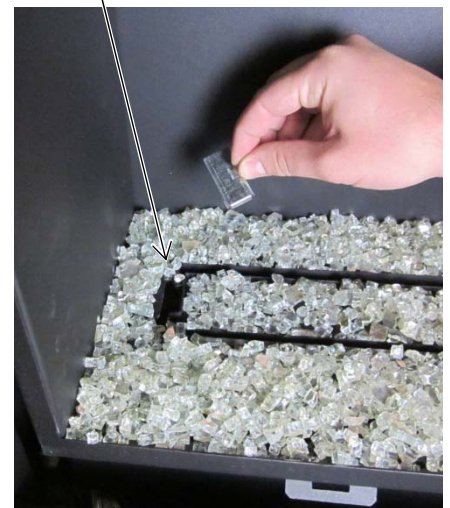
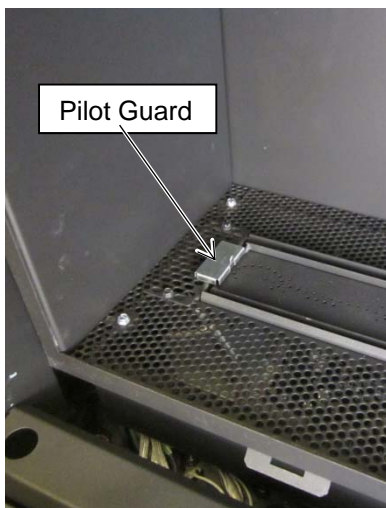


If converting to LP (propane), convert the appliance prior to placing the crushed glass.

Install the crushed glass on the glass tray following the directions below.

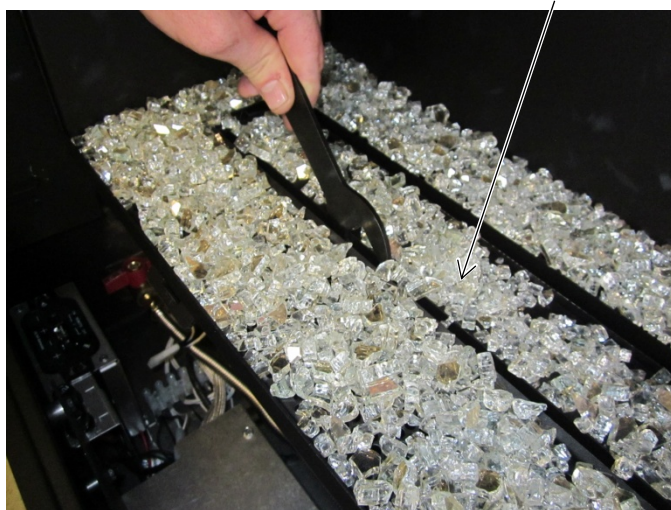
<u>Quantity of Crushed Glass</u>	No Logs (stock)	Driftwood Log Set (NOTE: <u>Install logs first</u>)
	10 lbs. (4.5 Kg)	7 lbs. (3.1 Kg)

Before installing the crushed glass, make sure the pilot guard is in place (it is zip-tied to the glass tray – remove and discard the zip-tie). After installing the glass, remove the pilot guard. Make sure no glass covers the pilot opening.



Disperse the crushed glass evenly along the glass tray.

Make sure the two air channels are free of crushed glass. Use the glass frame tool (or screwdriver) to clear this area. **Make sure the glass is only 1 layer deep on the burner.**



LP Conversion Instructions

WARNING

This conversion kit shall be installed by a qualified service agency in accordance with the manufacturer's instructions and all applicable codes and requirements of the authority having jurisdiction. If the information in these instructions is not followed exactly, a fire, explosion or production of carbon monoxide may result causing property damage, personal injury or loss of life. The qualified service agency is responsible for the proper installation of this kit. The installation is not proper and complete until the operation of the converted appliance is checked as specified in the manufacturer's instructions supplied with the kit.

The GSR Stepper Motor Kit (4-pack = 94400999, single = 250-01463) is required for converting this appliance to LP. The kit contains the stepper motor (regulator) and torx wrench. The burner orifices, pilot orifice, and burner gaskets are shipped with the appliance.

1. Access the firebox.
2. Remove the glass tray. Remove the 8 screws holding it in place (1/4" nutdriver).



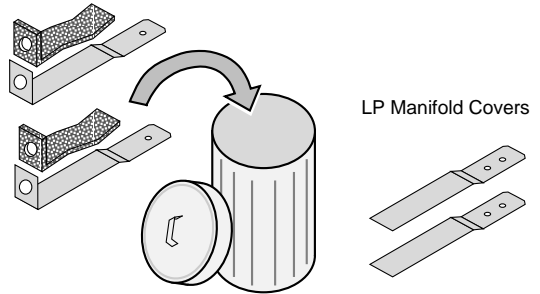
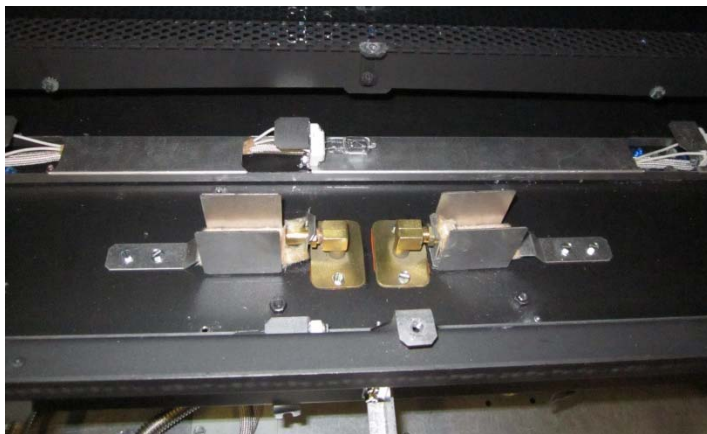
3. Remove the burner. It is held in place with 8 screws (1/4" nutdriver).



4. Remove the burner support as shown below. It is held in place with 12 screws (1/4" nutdriver) and 4 nuts (11/32" nutdriver).

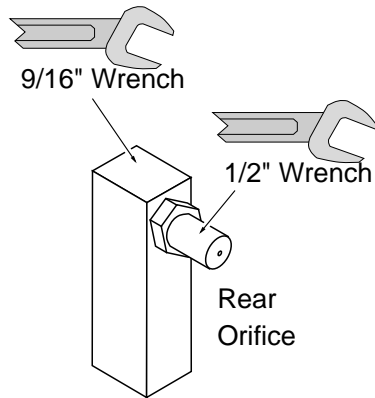


5. Remove and discard the two NG (stock) manifold covers and orifice gaskets (use 1/4" nutdriver). Install the LP manifold covers included in the owner's pack.



6. Follow the directions below to replace the orifice.

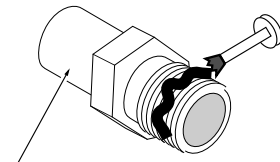
(a) Slide the air shutters to provide access to the orifices.



(b) Use a 9/16" wrench to secure the manifold while removing the orifice with a 1/2" wrench.

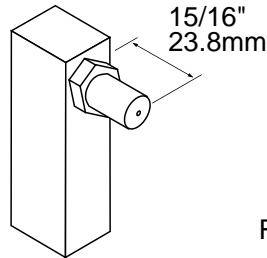
(c)

Apply thread sealant to the LP orifice prior to installation. Use the chart below to identify the correct orifices.



(d)

Screw the LP orifice until orifice protrudes 15/16" (23.8mm) indicating full insertion (use wrench to secure manifold when re-attaching orifice).

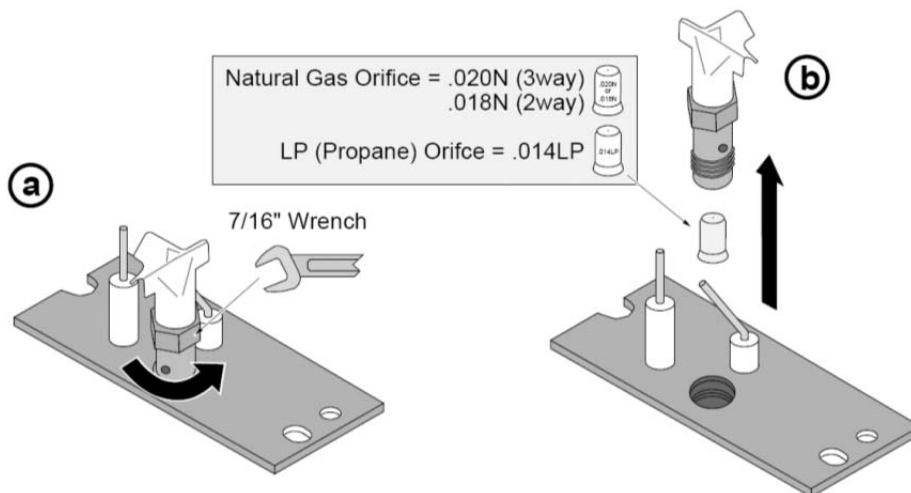


	NG	LP
Left Side	2.5mm	#53
Right Side	2.5mm	#53

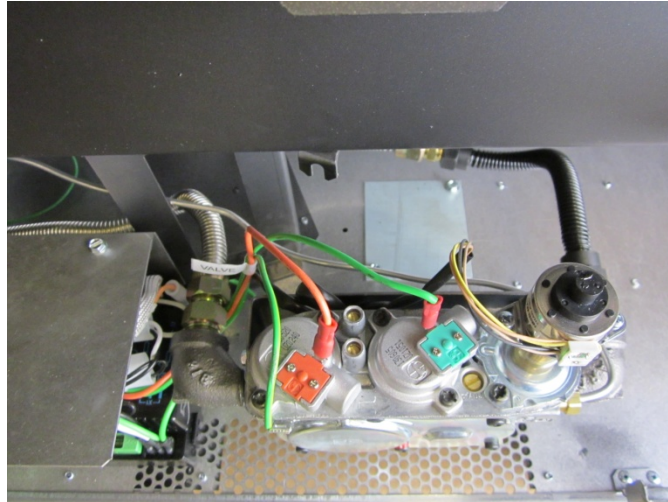
7. Install the LP pilot orifice following the instructions below.

(a) Use a 7/16" open-end wrench to remove the pilot hood.

(b) Remove and discard the Natural Gas (NG) orifice. Place the LP orifice in the pilot assembly then replace the pilot hood, tightening the pilot hood until it is snug (do not over-tighten).



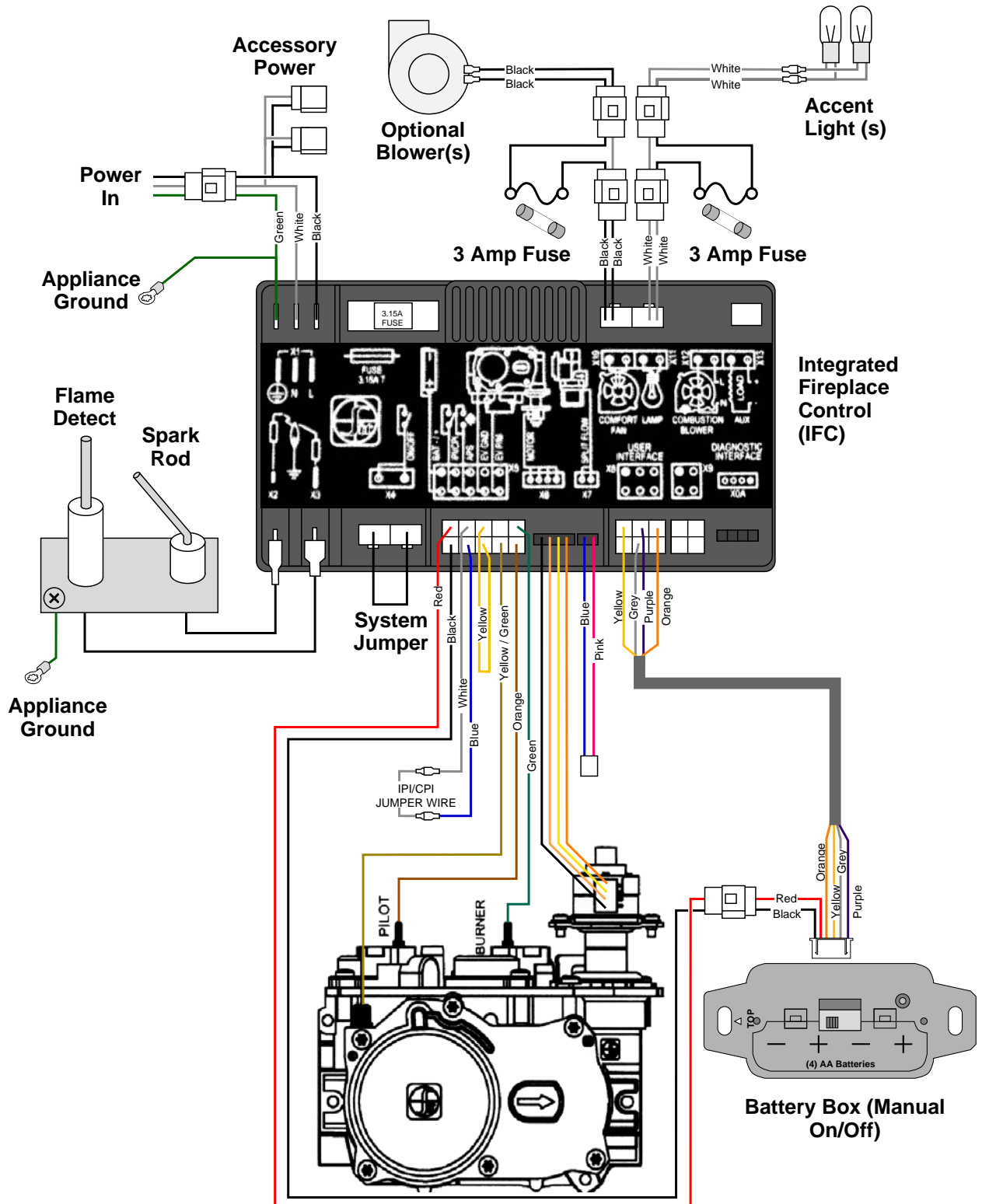
8. The stepper motor (adjustable regulator) has an installation sheet included with it – make sure to follow all of the directions. Place the stepper motor on the gas control valve (see below) – **MAKE SURE IT IS CORRECTLY ORIENTED**. Secure using the screws included with the motor – tighten to 25 Lb-inches. Leak test this area after installation to verify proper installation.



9. Replace the burner.
10. Replace the remaining firebox components.
11. Replace the glass.
12. Make the gas line connection, bleed the gas line (if applicable), start the heater and thoroughly leak-test all gas connections and the gas control valve.

Wiring Diagram

Caution: Label all wires prior to disconnection when servicing controls. Wiring errors can cause improper and dangerous operation.

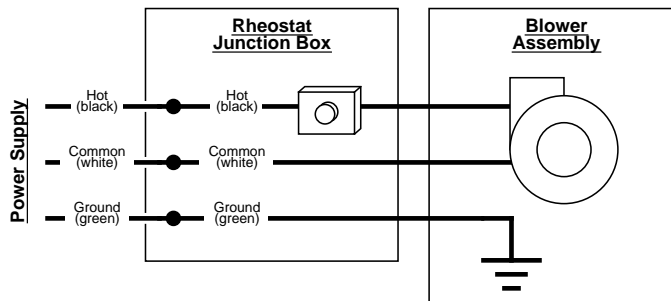


Power Heat Duct Installation

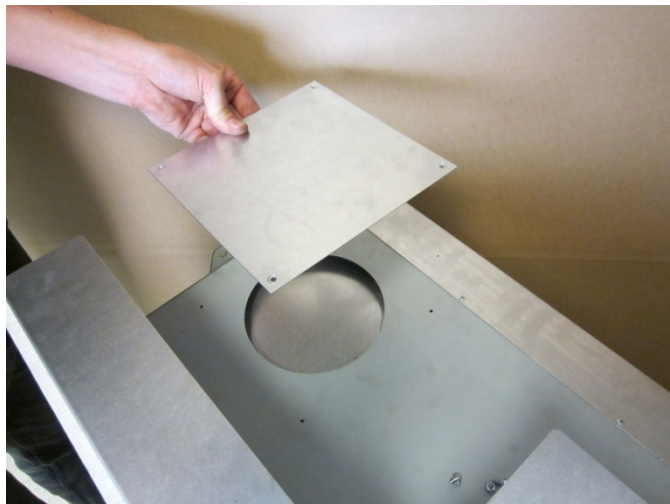
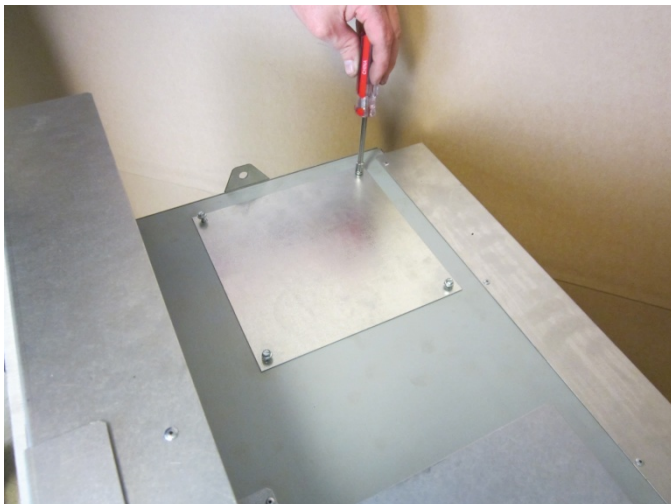
Warning: All wiring should be done by a qualified electrician and shall be in compliance with local codes and with the current National Electric Code ANSI/NFPA 70 (in the U.S.), or with the current CSC22.1 Canadian Electric Code (in Canada).

One or two optional power heat (98500769) ducts may be connected to this fireplace (top right and left of the fireplace). Follow the directions below to prepare the power heat duct connection (for each power heat duct used). Follow the directions included with the power heat duct for installation.

NOTE: The power heat duct should be wired for direct operation (see wiring diagram below);



1. Remove the 4 screws on the power heat duct cover and remove the cover.



2. Remove the 2 screws on the inner cover plate and remove the cover. The power heat duct is now ready to install



Additional Items Required	7	Heating Specifications	6
Air Shutter Adjustment	44	Installation Options	6
Altitude Considerations	21	Intake Restrictor	26
Approved Vent	21	LP Conversion Instructions	50
Approved Vent Configurations	25	Mantel Column Clearances	41
Clearances	8	Mantel Requirements	40
Corner Installations	16	Overview	2
Crushed Glass Installation	49	Packing List	7
Diffuser	27	Power Heat Duct Installation	55
Dimensions	6	Raised Fireplaces	8
Electrical Connection	20	Recommended Installation Procedure	7
Exhaust Restrictor	25	Restrictor Position	25
Fireback Installation	47	Safety Warnings	4
Fireplace Placement Requirements	8	Steps for Finalizing the Installation	43
Fuel	18	Termination Requirements	33
Gas Line Connection	18	Vent Clearances	21
Gas Line Location	19	Vent Firestop	21
Gas Line Requirements	18	Vent Installation	21
Glass Frame Removal and Installation	45	Vent Requirements	21
Hearth Requirements	34	Wiring Diagram	54